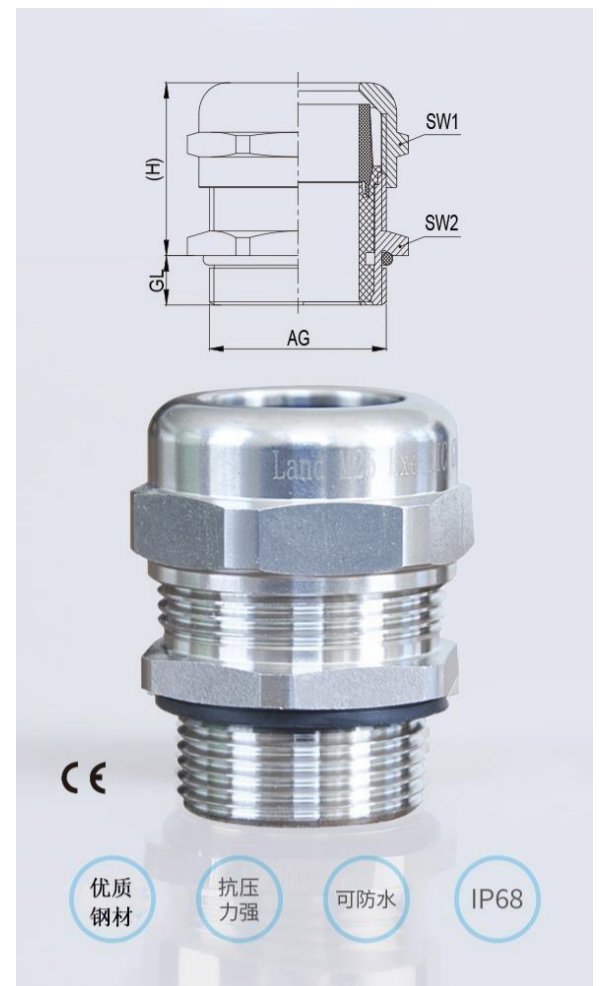


EXA 系列-防爆不锈钢电缆接头

- 产品材料:** 默认 304, 可选 316 及 316L, 密封件为 EPDM 橡胶
 - 防护等级:** 规定卡口范围内, 配合密封圈, 防护等级可达 IP68
 - 工作温度:** 测试 -40° ~ 105° 零件无损坏且保障设备正常运转
 - 阻燃等级:** UL94V-2, 可定制 V0 级阻燃
 - 产品性能:** 符合 Exe 增安及 ExtD 粉尘防爆, 耐腐蚀性能优越
 - 订购说明:** 默认不附螺母, 如需 316 或 316L 材质, 请将型号后缀 "SS" 变更为 "S316" 或 "S316L"
- ☆**特别提示:** 型号栏带*为非防爆产品, 可能只有少量库存, 请联系



Exa series - Explosion proof cable gland

- Materials:** 304. Can choose 316 and 316L are optional, And the seal is EPDM
 - Waterproof:** Within the clamping range, The waterproof grade can reach IP68
 - Temperature:** -40° ~ 105°, Short-term 120°
 - fire prevention:** UL94V-2, Customizable V0
 - performance:** Comply with Exe and extd explosion-proof and corrosion resistance
 - Ordering Information:** Without nut, if 316 is required, please change the rear model Ss to s316
- ☆**Special tips:** The model bar * is a non explosion proof product, which may only have a small amount in stock. Please contact



公制 M 螺纹/Metric thread

蓝江产品型号	螺纹规格	电缆范围	螺纹长度	扳手尺寸
Product model	Thread size	Cable range	Thread length	Wrench Size
PN.	Metric	φ mm	GL mm	nut/cap mm
*MG6-03-SS	M6×1.0	2~3	6	10/10
*MG8-04-SS	M8×1.0	3~4	6	12/12
*MG8-04-SS	M8×1.25	3~4	6	12/12
*MG10-06-SS	M10×1.0	3~6	6	14/14
MG12S-06-SS	M12×1.5	3~6	7	15/14
MG12-08-SS	M12×1.5/1.0	4~8	9	15/17
MG12-05-SS	M12×1.5/1.0	3~5.5	9	15/17
MG12-6.7-SS	M12×1.5/1.0	3~6.7	9	15/17
MG12-6.5-SS	M12×1.5/1.0	3~6.5	9	15/17
MG12-3.2-SS	M12×1.5/1.0	2~3.2	9	15/17
MG14-08-SS	M14×1.5	4~8	9	17/17
MG14-05-SS	M14×1.5	3~5.5	9	17/17
MG14-3.2-SS	M14×1.5	2~3.2	9	17/17
MG16S-08-SS	M16×1.5	4~8	9.5	20/17
MG16S-05-SS	M16×1.5	3~5.5	9.5	20/17
MG16S-6.7-SS	M16×1.5	3~6.7	9.5	20/17
MG16S-6.5-SS	M16×1.5	3~6.5	9.5	20/17
MG16S-3.2-SS	M16×1.5	2~3.2	9.5	20/17
MG16-10-SS	M16×1.5/1.0	6~10	9.5	20/21
MG16-07-SS	M16×1.5/1.0	4~7	9.5	20/21
MG16-05-SS	M16×1.5/1.0	3~5	9.5	20/21
MG16-04-SS	M16×1.5/1.0	2~4.3	9.5	20/21
MG18-10-SS	M18×1.5	6~10	9.5	21/21
MG18-07-SS	M18×1.5	4~7	9.5	21/21
MG18-05-SS	M18×1.5	3~5	9.5	21/21
MG18-04-SS	M18×1.5	2~4.3	9.5	21/21
MG20-16-SS	M20×1.5	11~16	12	24/27
MG20-14-SS	M20×1.5	8~14	12	24/26
MG20-12-SS	M20×1.5	8~12	12	24/26
MG20-06-SS	M20×1.5	3~6.5	12	24/26
MG20S-12-SS	M20×1.5	7~12	12	24/24
MG20S-11-SS	M20×1.5	6~11	12	24/24
MG20S-09-SS	M20×1.5	5~9	12	24/24
MG20X-08-SS	M20×1.5	4~8	12	24/18
MG20X-05-SS	M20×1.5	3~5.5	12	24/18
MG20X-6.7-SS	M20×1.5	3~6.7	12	24/18

MG20X-6.5-SS	M20×1.5	3 ~ 6.5	12	24/18
MG20X-3.2-SS	M20×1.5	2 ~ 3.2	12	24/18
*MG21-14-SS	M21×1.5	8 ~ 14	12	26/26
*MG21-12-SS	M21×1.5	8 ~ 12	12	26/26
*MG21-06-SS	M21×1.5	3 ~ 6.5	12	26/26
MG22-14-SS	M22×1.5	8 ~ 14	12	26/26
MG22-12-SS	M22×1.5	8 ~ 12	12	26/26
MG22-06-SS	M22×1.5	3 ~ 6.5	12	26/26
*MG23-14-SS	M23×1.5	8 ~ 14	12	26/26
MG24-14-SS	M24×1.5	8 ~ 14	10.5	28/26
MG24-12-SS	M24×1.5	8 ~ 12	10.5	28/26
MG24-06-SS	M24×1.5	3 ~ 6.5	10.5	28/26
MG25-18-SS	M25×1.5	13 ~ 18	12	30/31
MG25-16-SS	M25×1.5	12 ~ 16	12	30/31
MG25-14-SS	M25×1.5	8 ~ 14	12	30/31
MG25-13-SS	M25×1.5	7 ~ 13	12	30/31
MG25-10-SS	M25×1.5	6 ~ 10	12	30/31
MG25S-12-SS	M25×1.5	6 ~ 12	12	30/24
MG25S-11-SS	M25×1.5	6 ~ 11	12	30/24
MG25S-09-SS	M25×1.5	5 ~ 9	12	30/24
*MG26-18-SS	M26×1.5	13 ~ 18	12	30/31
*MG26-16-SS	M26×1.5	12 ~ 16	12	30/31
*MG26-14-SS	M26×1.5	8 ~ 14	12	30/31
MG27-18-SS	M27×1.5/2.0	13 ~ 18	12	30/31
MG27-16-SS	M27×1.5/2.0	12 ~ 16	12	30/31
MG27-14-SS	M27×1.5/2.0	8 ~ 14	12	30/31
MG27-10-SS	M27×1.5/2.0	6 ~ 10	12	30/31
MG30-25-SS	M30×1.5/2.0	18 ~ 25	12.5	34/40
MG30-22-SS	M30×1.5/2.0	17 ~ 22	12.5	34/40
MG30-18-SS	M30×1.5/2.0	13 ~ 18	12.5	34/31
MG30-16-SS	M30×1.5/2.0	12 ~ 16	12.5	34/31
MG30-14-SS	M30×1.5/2.0	8 ~ 14	12.5	34/31
MG30-10-SS	M30×1.5/2.0	6 ~ 10	12.5	34/31
MG32-25-SS	M32×1.5	18 ~ 25	12.5	38/40
MG32-22-SS	M32×1.5	17 ~ 22	12.5	38/40
MG32S-18-SS	M32×1.5	13 ~ 18	12	38/31
MG32S-16-SS	M32×1.5	12 ~ 16	12	38/31
MG32S-14-SS	M32×1.5	8 ~ 14	12	38/31
MG32S-10-SS	M32×1.5	6 ~ 10	12	38/31
MG33-25-SS	M33×2.0	18 ~ 25	14.5	38/40
MG33-22-SS	M33×2.0	17 ~ 22	14.5	38/40

MG36-25-SS	M36×1.5/2.0	18 ~ 25	13	42/40
MG36-22-SS	M36×1.5/2.0	17 ~ 22	13	42/40
MG40-31-SS	M40×1.5/2.0	25 ~ 31	14	48/50
MG40-25-SS	M40×1.5/2.0	18 ~ 25	14	48/50
MG40S-25-SS	M40×1.5	18 ~ 25	14	48/40
MG40S-22-SS	M40×1.5	17 ~ 22	14	48/40
MG42-31-SS	M42×2.0	25 ~ 31	15	48/50
MG42-25-SS	M42×2.0	18 ~ 25	15	48/50
MG48-31-SS	M48×2.0	25 ~ 31	15	58/50
MG48-25-SS	M48×2.0	18 ~ 25	15	58/50
MG50-41-SS	M50×1.5	33 ~ 41	15	58/60
MG50-33-SS	M50×1.5	25 ~ 33	15	58/60
MG50S-31-SS	M50×1.5	25 ~ 31	15	54/50
MG50S-25-SS	M50×1.5	18 ~ 25	15	54/50
*MG56-44-SS	M56×2.0	36 ~ 44	15	71/65
MG60-44-SS	M60×2.0	36 ~ 44	15	71/65
MG63-54-SS	M63×1.5	46 ~ 54	15	71/76
MG63-46-SS	M63×1.5	38 ~ 46	15	71/76
MG63S-44-SS	M63×1.5	36 ~ 44	15	71/65
MG64-54-SS	M64×2.0	46 ~ 54	15	71/76
MG64-46-SS	M64×2.0	38 ~ 46	15	71/76
MG64-44-SS	M64×2.0	36 ~ 44	15	71/65
*MG68-54-SS	M68×2.0	46 ~ 54	15	75/75
MG72-66-SS	M72×2.0	60 ~ 66	15.5	80/85
MG72-62-SS	M72×2.0	56 ~ 62	15.5	80/85
MG72-56-SS	M72×2.0	50 ~ 56	15.5	80/85
MG72S-54-SS	M72×2.0	46 ~ 54	15	80/75
MG75-66-SS	M75×2.0	60 ~ 66	15.5	80/85
MG75-62-SS	M75×2.0	56 ~ 62	15.5	80/85
MG75-56-SS	M75×2.0	50 ~ 56	15.5	80/85
MG90-77-SS	M90×2.0	70 ~ 77	20	95/103
MG90-68-SS	M90×2.0	60 ~ 68	20	95/103
*MG100-90-SS	M100×2.0	48 ~ 90	20	102/110
*MG110-99-SS	M110×2.0	88 ~ 99	20	120/120
*MG120-108-SS	M120×2.0	99 ~ 108	20	130/130
*MG130-119-SS	M130×2.0	108 ~ 119	20	135/140
*MG140-129-SS	M140×2.0	119 ~ 129	20	150/150
*MG150-135-SS	M150×2.0	129 ~ 135	20	160/160

德制 PG 螺纹/PG Thread

蓝江产品型号	螺纹规格	电缆范围	螺纹长度	扳手尺寸
Product model	Thread size	Cable range	Thread length	Wrench Size
PN.	PG	mm	mm	nut/cap mm
PG7S-06-SS	PG7	3 ~ 6	9	15/14
PG7-08-SS	PG7	4 ~ 8	9	15/17
PG7-05-SS	PG7	3 ~ 5.5	9	15/17
PG9-08-SS	PG9	4 ~ 8	9	17/17
PG9-05-SS	PG9	3 ~ 5.5	9	17/17
PG11-10-SS	PG11	6 ~ 10	9.5	21/21
PG11-07-SS	PG11	4 ~ 7	9.5	21/21
PG11-05-SS	PG11	3 ~ 5	9.5	21/21
PG13.5-14-SS	PG13.5	8 ~ 14	10.5	24/26
PG13.5-12-SS	PG13.5	7 ~ 12	10.5	24/24
PG13.5-11-SS	PG13.5	6 ~ 11	10.5	24/24
PG13.5-09-SS	PG13.5	5 ~ 9	10.5	24/24
PG16-14-SS	PG16	8 ~ 14	12	26/26
PG16-12-SS	PG16	8 ~ 12	12	26/26
PG16-06-SS	PG16	3 ~ 6.5	12	26/26
PG19-14-SS	PG19	8 ~ 14	10.5	28/26
PG21-18-SS	PG21	13 ~ 18	12	32/31
PG21-16-SS	PG21	12 ~ 16	12	32/31
PG21-14-SS	PG21	8 ~ 14	12	32/31
PG21-10-SS	PG21	6 ~ 10	12	32/31
PG25-18-SS	PG25	13 ~ 18	12.5	34/31
PG29-25-SS	PG29	18 ~ 25	12.5	40/40
PG29-22-SS	PG29	17 ~ 22	12.5	40/40
PG36-31-SS	PG36	25 ~ 31	15	58/50
PG36-25-SS	PG36	18 ~ 25	15	58/50
PG42-41-SS	PG42	33 ~ 41	15	60/60
PG42-33-SS	PG42	25 ~ 33	15	60/60
PG48-44-SS	PG48	36 ~ 44	15	71/65

英制 G 管螺纹/G thread

蓝江产品型号	螺纹规格	电缆范围	螺纹长度	扳手尺寸
Product model	Thread size	Cable range	Thread length	Wrench Size
PN.	G(PF)	mm	mm	nut/cap mm
G1/4-08-SS	G1/4	4 ~ 8	9	17/17
G1/4-05-SS	G1/4	3 ~ 5.5	9	17/17
G1/4-6.7-SS	G1/4	3 ~ 6.7	9	17/17
G1/4-6.5-SS	G1/4	3 ~ 6.5	9	17/17
G1/4-3.2-SS	G1/4	2 ~ 3.2	9	17/17
G3/8-10-SS	G3/8	6 ~ 10	9.5	21/21
G3/8-07-SS	G3/8	4 ~ 7	9.5	21/21
G3/8-05-SS	G3/8	3 ~ 5	9.5	21/21
G3/8-04-SS	G3/8	2 ~ 4.3	9.5	21/21
G1/2-16-SS	G1/2	11 ~ 16	12	24/27
G1/2-14-SS	G1/2	8 ~ 14	12	24/26
G1/2-12-SS	G1/2	7 ~ 12	12	24/24
G1/2-11-SS	G1/2	6 ~ 11	12	24/24
G1/2-09-SS	G1/2	5 ~ 9	12	24/24
G3/4-18-SS	G3/4	13 ~ 18	12	30/31
G3/4-16-SS	G3/4	12 ~ 16	12	30/31
G3/4-14-SS	G3/4	8 ~ 14	12	30/31
G3/4-10-SS	G3/4	6 ~ 10	12	30/31
G1-25-SS	G1	18 ~ 25	15	38/40
G1-22-SS	G1	17 ~ 22	15	38/40
G1-1/4-31-SS	G1-1/4	25 ~ 31	15	48/50
G1-1/4-25-SS	G1-1/4	18 ~ 25	15	48/50
G1-1/2-41-SS	G1-1/2	33 ~ 41	15	55/60
G1-1/2-33-SS	G1-1/2	25 ~ 33	15	55/60
G1-1/2-31-SS	G1-1/2	25 ~ 31	15	55/50
G1-1/2-25-SS	G1-1/2	18 ~ 25	15	55/50
G2-44-SS	G2	36 ~ 44	15	71/65

美制 NPT 螺纹/NPT thread

蓝江产品型号	螺纹规格	电缆范围	螺纹长度	扳手尺寸
Product model	Thread size	Cable range	Thread length	Wrench Size
PN.	NPT	mm	mm	nut/cap mm
NPT1/4-08-SS	NPT1/4	4 ~ 8	9	17/17
NPT1/4-05-SS	NPT1/4	3 ~ 5.5	9	17/17
NPT1/4-6.7-SS	NPT1/4	3 ~ 6.7	9	17/17
NPT1/4-6.5-SS	NPT1/4	3 ~ 6.5	9	17/17
NPT1/4-3.2-SS	NPT1/4	2 ~ 3.2	9	17/17
NPT3/8-10-SS	NPT3/8	6 ~ 10	10	21/21
NPT3/8-07-SS	NPT3/8	4 ~ 7	10	21/21
NPT3/8-05-SS	NPT3/8	3 ~ 5	10	21/21
NPT3/8-04-SS	NPT3/8	2 ~ 4.3	10	21/21
NPT1/2-16-SS	NPT1/2	11 ~ 16	13	24/27
NPT1/2-14-SS	NPT1/2	8 ~ 14	13	24/26
NPT1/2-12-SS	NPT1/2	7 ~ 12	11	24/24
NPT1/2-11-SS	NPT1/2	6 ~ 11	11	24/24
NPT1/2-09-SS	NPT1/2	5 ~ 9	11	24/24
NPT3/4-18-SS	NPT3/4	13 ~ 18	13	30/31
NPT3/4-16-SS	NPT3/4	12 ~ 16	13	30/31
NPT3/4-14-SS	NPT3/4	8 ~ 14	13	30/31
NPT3/4-10-SS	NPT3/4	6 ~ 10	13	30/31
NPT1-25-SS	NPT1	18 ~ 25	15	38/40
NPT1-22-SS	NPT1	17 ~ 22	15	38/40
NPT1-1/4-31-SS	NPT1-1/4	25 ~ 31	15	48/50
NPT1-1/4-25-SS	NPT1-1/4	18 ~ 25	15	48/50
NPT1-1/2-41-SS	NPT1-1/2	33 ~ 41	15	55/60
NPT1-1/2-33-SS	NPT1-1/2	25 ~ 33	15	55/60
NPT1-1/2-31-SS	NPT1-1/2	25 ~ 31	15	55/50
NPT1-1/2-25-SS	NPT1-1/2	18 ~ 25	15	55/50
NPT2-44-SS	NPT2	36 ~ 44	15	71/65