

三通波纹管接头

•**产品材料:** TPE 材质

•**产品用途:** 连接波纹管

•**工作温度:** $-40^{\circ} \sim 105^{\circ}$, 短时可达 120°

•**阻燃等级:** UL94V-2, 可定制 V0 级阻燃

•**订购说明:**

- 1) 本款适配蓝江品牌波纹管其他请核对尺寸后下单;
- 2) 产品价格为 (人民币: 元/套, 美元: USD/set) 。



Tee bellows connector

1) •**Product material:** TPE material

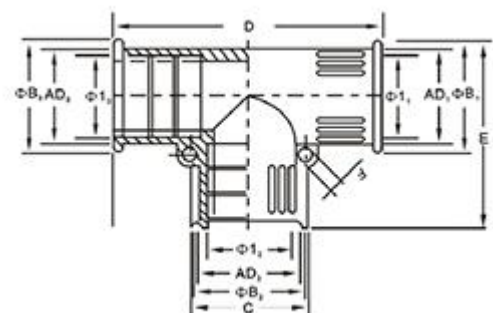
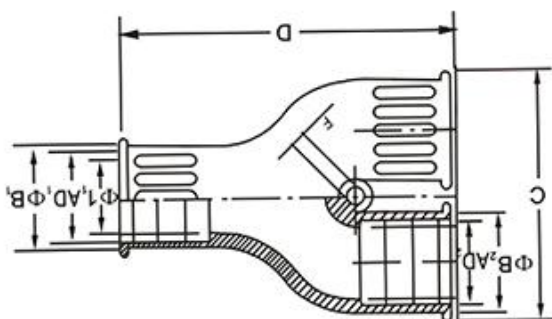
2) •**Product application:** connecting corrugated pipe

3) •**Working temperature:** $-40^{\circ} \sim 105^{\circ}$, up to 120° in a short time

4) •**Flame retardant grade:** UL94V-2, customized V0 flame retardant

5) •**Ordering Instructions:**

- 1) This model is suitable for the bellows of Lanjiang brand. For others, please check the size and place an order;
- 2) The product price is (RMB: yuan/set, USD: USD/set).



Y型三通波纹管连接器/Y-type three-way corrugated pipe connector

蓝江产品型号	产品尺寸/Product size		
Product model	适配软管	宽度	总长度
PN.	Adaptor hose	width	Total length
R _Y -3*AD10	AD10	36.5	54.5
R _Y -2*AD10/AD13	2*AD10/AD13	36	63
R _Y -3*AD13	3*AD13	43	65
R _Y -2*AD13/AD15.8	2*AD13/AD15.8	45	66
R _Y -3*AD15.8	3*AD15.8	46	68
R _Y -2*AD15.8/21.2	2*AD15.8/AD21.2	52	75
R _Y -2*AD15.8/28.5	2*AD15.8/AD28.5	52	75
R _Y -3*AD18.5	3*AD18.5	54.5	81
R _Y -3*AD21.2	3*AD21.2	62.5	82.5
R _Y -2*AD21.2/28.5	2*AD15.8/28.5	60.5	68
R _Y -2*AD28.5/34.5	2*AD28.5/AD34.5	77	86
R _Y -2*AD34.5/42.5	2*AD34.5/AD42.5	89	98.5
R _Y -2*AD42.5/54.5	2*AD42.5/AD54.5	109.5	116

T型三通波纹管连接器/T-type three-way corrugated pipe connector

蓝江产品型号	产品尺寸/Product size		
Product model	适配软管	宽度	总长度
PN.	Adaptor hose	width	Total length
R _T -3*AD10	AD10	32.5	46.5
R _T -3*AD13	3*AD13	36	51
R _T -3*AD15.8	3*AD15.8	44	63
R _T -3*AD18.5	3*AD18.5	48.5	70
R _T -3*AD21.2	3*AD21.2	50	71
R _T -2*AD21.2/28.5	2*AD15.8/28.5	51	78
R _T -3*28.5	3*AD28.5	57	78
R _T -2*AD28.5/34.5	2*AD28.5/AD34.5	57	83
R _T -3*AD34.5	3*AD34.5	64	85
R _T -3*AD42.5	3*AD42.5	74.5	96