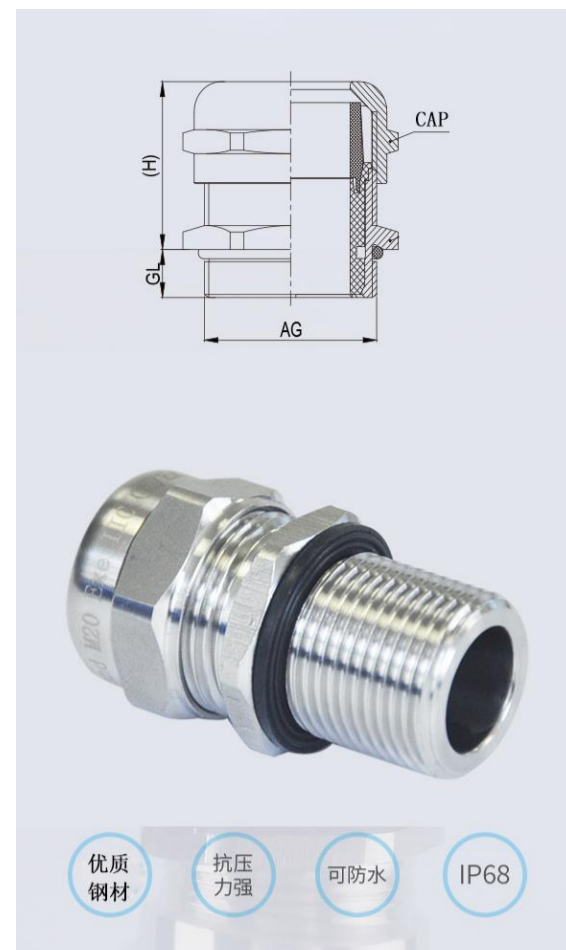


L系列-长牙不锈钢接头说明书

- 产品材料:** 默认304, 可选316及316L, 密封件为EPDM橡胶
- 防护等级:** 规定卡口范围内, 配合密封圈, 防护等级可达IP68
- 工作温度:** 测试-40° ~ 105°零件无损坏且保障设备正常运转
- 阻燃等级:** UL94V-2, 可定制V0级阻燃
- 产品性能:** 加长螺纹, 使厚壁箱体轻松通过, 确保密封

•订购说明:

- 1) 默认发货不附螺母, 如需需要单独购买, 请知悉
- 2) 默认为304材质, 如需316, 请将型号后缀 "-SS" 改成" S316"
- 3) 整套包含: 垫片, 主体, 密封圈, 螺帽为一套;
- 4) 产品价格为 (人民币: 元/套, 美元: USD/set) ;
- 5) 本款产品接受定制任意长度, 具体价格咨询客服。

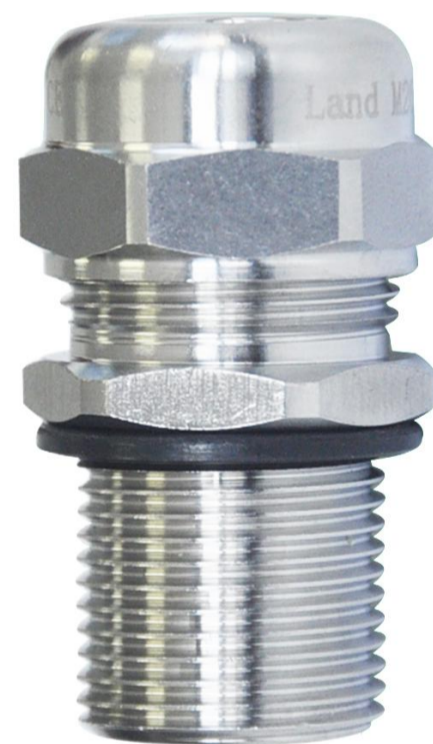


Long thread cable gland instructions

- Product material:** default 304, optional 316 and 316L
seal is EPDM rubber
- Protection grade:** within the specified bayonet range,
with the seal ring, the protection grade can reach IP68
- Working temperature:** test - 40 °~105 ° parts to ensure
no damage and normal operation of equipment
- Flame retardant grade:** UL94V-2, customized V0
- Product performance:** lengthen the thread to make the
thick wall box pass easily and ensure the sealing

•Ordering Instructions:

- 1) The default delivery does not include nuts. If you need to
purchase separately, please know
- 2) The default is 304 material. If 316 is required, please change
the model suffix "- SS" to "S316"
- 3) The whole set includes: one set of gasket, main body, sealing
ring and nut;
- 4) The product price is (RMB: yuan/set, USD: USD/set).
- 5) This product can be customized to any length. Please consult customer service for specific price.



公制长螺纹尺寸表/Metric Long Thread Size Table

蓝江产品型号	螺纹规格	电缆范围	螺纹长度	扳手尺寸
Product model	Thread size	Cable range	Thread length	Wrench Size
PN.	M-PG-G-NPT	mm	mm	nut/cap mm
MG10L-06-SS	M10×1.0	3~6	15	14/14
MG10L-06-SS	M10×1.5	3~6	15	14/14
MG12L-08-SS	M12×1.5	4~8	15	15/17
MG12L-05-SS	M12×1.5	3~5.5	15	15/17
MG16L-10-SS	M16×1.5	6~10	15	20/21
MG16L-07-SS	M16×1.5	4~7	15	20/21
MG18L-10-SS	M18×1.5	6~10	15	21/21
MG18L-07-SS	M18×1.5	4~7	15	21/21
MG20L-14-SS	M20×1.5	8~14	15	24/26
MG20L-14-SS	M20×1.5	8~14	20	24/26
MG20SL-12-SS	M20×1.5	7~12	15	24/24
MG20SL-12-SS	M20×1.5	7~12	20	24/24
MG20SL-11-SS	M20×1.5	6~11	15	24/24
MG20SL-11-SS	M20×1.5	6~11	20	24/24
MG20SL-09-SS	M20×1.5	5~9	15	24/24
MG20SL-09-SS	M20×1.5	5~9	20	24/24
MG22L-14-SS	M22×1.5	8~14	15	26/26
MG24L-14-SS	M24×1.5	8~14	15	28/26
MG25L-18-SS	M25×1.5	13~18	15	30/31
MG25L-16-SS	M25×1.5	12~16	15	30/31
MG25L-14-SS	M25×1.5	8~14	15	30/31
MG25L-13-SS	M25×1.5	7~13	15	30/31
MG25L-10-SS	M25×1.5	6~10	15	30/31
MG27L-18-SS	M27×1.5/2.0	13~18	17	30/31
MG30L-18-SS	M30×1.5/2.0	13~18	15	34/31
MG32L-25-SS	M32×1.5	18~25	15	38/40
MG32L-22-SS	M32×1.5	17~22	15	38/40
MG40L-31-SS	M40×1.5/2.0	25~31	20	48/50
MG40L-25-SS	M40×1.5/2.0	18~25	20	48/50
MG50L-41-SS	M50×1.5	33~41	20	58/60
MG50L-33-SS	M50×1.5	25~33	20	58/60
MG63L-54-SS	M63×1.5	46~54	20	71/76
MG63L-46-SS	M63×1.5	38~46	20	71/76