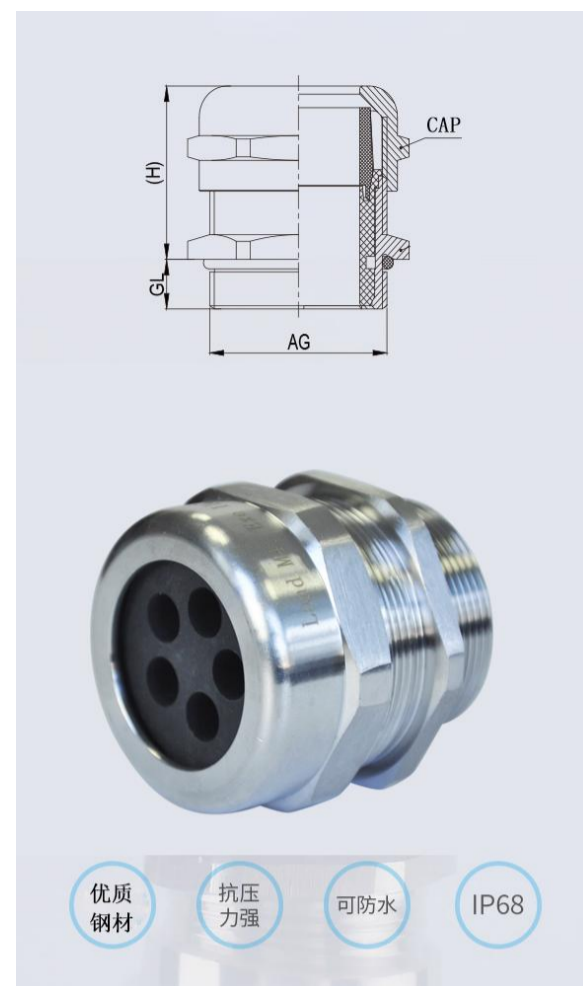


# H系列-五孔不锈钢防水接头说明书

- 产品材料:** 默认304, 可选316及316L, 密封件为EPDM橡胶
- 防护等级:** 规定卡口范围内, 配合密封圈, 防护等级可达IP68
- 工作温度:** 测试-40° ~ 105°零件无损坏且保障设备正常运转
- 阻燃等级:** UL94V-2, 可定制V0级阻燃
- 产品性能:** 多根电缆同时锁紧密封, 大大节省空间利用率

## •订购说明:

- 1) 默认发货不附螺母, 如需需要单独购买, 请知悉
- 2) 默认为304材质, 如需316, 请将型号后缀 "-SS" 改成" S316"
- 3) 整套包含: 垫片, 主体, 密封圈, 螺帽为一套;
- 4) 产品价格为 (人民币: 元/套, 美元: USD/set) ;
- 5) 本款产品接受定制任意长度, 具体价格咨询客服。



## Multi hole stainless steel cable gland

- Product material:** default 304, optional 316 and 316L seal is EPDM rubber
- Protection grade:** within the specified bayonet range, with the seal ring, the protection grade can reach IP68
- Working temperature:** test - 40 °~105 ° parts to ensure no damage and normal operation of equipment
- Flame retardant grade:** UL94V-2, customized V0
- Product performance:** Multiple cables are locked and sealed at the same time, greatly saving space utilization
- Ordering Instructions:**

- 1) The default delivery does not include nuts. If you need to purchase separately, please know
- 2) The default is 304 material. If 316 is required, please change the model suffix "- SS" to "S316"
- 3) The whole set includes: one set of gasket, main body, sealing ring and nut;
- 4) The product price is (RMB: yuan/set, USD: USD/set).
- 5) This product can be customized to any length. Please consult customer service for specific price.



### 五孔尺寸表/Five holes Size Table

蓝江产品型号	螺纹规格	电缆范围	螺纹长度	扳手尺寸
Product model	Thread size	Cable range	Thread length	Wrench Size
PN.	Metric	mm	mm	nut/cap mm
MG20-H5-04-SS	M20×1.5	2.5~4	12	24/26
MG20-H5-03-SS	M20×1.5	2~3	12	24/26
MG22-H5-04-SS	M22×1.5	2.5~4	12	26/26
MG22-H5-03-SS	M22×1.5	2~3	12	26/26
MG24-H5-04-SS	M24×1.5	2.5~4	10.5	28/26
MG24-H5-03-SS	M24×1.5	2~3	10.5	28/26
MG25-H5-06-SS	M25×1.5	4~6	12	30/31
MG27-H5-06-SS	M27×1.5/2.0	4~6	12	30/31
MG30-H5-06-SS	M30×1.5/2.0	4~6	12.5	34/40
MG32-H5-08-SS	M32×1.5	6~8	12.5	38/40
MG32S-H5-06-SS	M32×1.5	4~6	12	38/31
MG33-H5-08-SS	M33×2.0	6~8	14.5	38/40
MG36-H5-08-SS	M36×1.5/2.0	6~8	13	42/40
MG40-H5-08-SS	M40×1.5/2.0	6~8	14	48/50
MG42-H5-08-SS	M42×2.0	6~8	15	48/50
MG48-H5-08-SS	M48×2.0	6~8	15	58/50
*MG50-H5-10-SS	M50×1.5	8~10	15	58/60
MG50S-H5-08-SS	M50×1.5	6~8	15	54/50
PG16-H5-04-SS	PG16	2.5~4	12	26/26
PG16-H5-03-SS	PG16	2~3	12	26/26
PG19-H5-04-SS	PG19	2.5~4	10.5	28/26
PG19-H5-03-SS	PG19	2~3	10.5	28/26
PG21-H5-06-SS	PG21	4~6	12	32/31
PG25-H5-06-SS	PG25	4~6	12.5	34/31
PG29-H5-08-SS	PG29	6~8	12.5	40/40
PG36-H5-08-SS	PG36	6~8	15	58/50
G1/2-H5-04-SS	G1/2	2.5~4	12	24/26
G1/2-H5-03-SS	G1/2	2~3	12	24/26
G3/4-H5-06-SS	G3/4	4~6	12	30/31
G1-H5-08-SS	G1	7~9	15	38/40
G1-1/4-H5-08-SS	G1-1/4	6~8	15	48/50
G1-1/2-H5-08-SS	G1-1/2	6~8	15	55/50
NPT1/2-H5-04-SS	NPT1/2	2.5~4	13	24/26
NPT1/2-H5-03-SS	NPT1/2	2~3	13	24/26
NPT3/4-H5-06-SS	NPT3/4	4~6	13	30/31
NPT1-H5-08-SS	NPT1	7~9	15	38/40
NPT1-1/4-H5-08-SS	NPT1-1/4	6~8	15	48/50