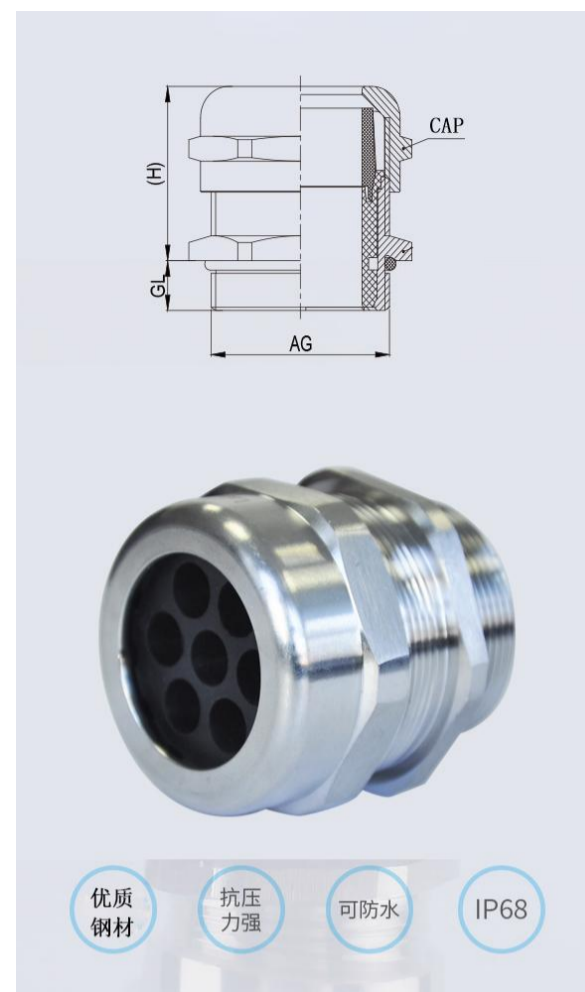


H系列-七孔不锈钢防水接头说明书

- 产品材料:** 默认304, 可选316及316L, 密封件为EPDM橡胶
- 防护等级:** 规定卡口范围内, 配合密封圈, 防护等级可达IP68
- 工作温度:** 测试-40° ~ 105°零件无损坏且保障设备正常运转
- 阻燃等级:** UL94V-2, 可定制V0级阻燃
- 产品性能:** 多根电缆同时锁紧密封, 大大节省空间利用率

•订购说明:

- 1) 默认发货不附螺母, 如需需要单独购买, 请知悉
- 2) 默认为304材质, 如需316, 请将型号后缀 "-SS" 改成 "S316"
- 3) 整套包含: 垫片, 主体, 密封圈, 螺帽为一套;
- 4) 产品价格为 (人民币: 元/套, 美元: USD/set) ;
- 5) 本款产品接受定制任意长度, 具体价格咨询客服。



Multi hole stainless steel cable gland

- Product material:** default 304, optional 316 and 316L seal is EPDM rubber
- Protection grade:** within the specified bayonet range, with the seal ring, the protection grade can reach IP68
- Working temperature:** test - 40 °~105 ° parts to ensure no damage and normal operation of equipment
- Flame retardant grade:** UL94V-2, customized V0
- Product performance:** Multiple cables are locked and sealed at the same time, greatly saving space utilization
- Ordering Instructions:**

- 1) The default delivery does not include nuts. If you need to purchase separately, please know
- 2) The default is 304 material. If 316 is required, please change the model suffix "- SS" to "S316"
- 3) The whole set includes: one set of gasket, main body, sealing ring and nut;
- 4) The product price is (RMB: yuan/set, USD: USD/set).
- 5) This product can be customized to any length. Please consult customer service for specific price.



七孔尺寸表/Seven holes Size Table

蓝江产品型号	螺纹规格	电缆范围	螺纹长度	扳手尺寸
Product model	Thread size	Cable range	Thread length	Wrench Size
PN.	M-PG-G-NPT	mm	mm	nut/cap mm
MG25-H7-04-SS	M25×1.5	2.5~4	12	30/31
MG27-H7-04-SS	M27×1.5/2.0	2.5~4	12	30/31
MG30-H7-04-SS	M30×1.5/2.0	2.5~4	12.5	34/40
*MG32-H7-06-SS	M32×1.5	4~6	12.5	38/40
*MG32-H7-04-SS	M32×1.5	2.5~4	12.5	38/40
MG40-H7-08-SS	M40×1.5/2.0	6~8	14	48/50
MG42-H7-08-SS	M42×2.0	6~8	15	48/50
MG48-H7-08-SS	M48×2.0	6~8	15	58/50
*MG50-H7-10-SS	M50×1.5	8~10	15	58/60
*PG16-H7-02-SS	PG16	1.2~2.1	12	26/26
PG21-H7-04-SS	PG21	2.5~4	12	32/31
*PG29-H7-06-SS	PG29	4~6	12.5	40/40
*PG29-H7-04-SS	PG29	2.5~4	12.5	40/40
PG36-H7-08-SS	PG36	6~8	15	58/50
*PG42-H7-10-SS	PG42	8~10	15	60/60
*G1/2-H7-02-SS	G1/2	1.2~2.1	12	24/26
G3/4-H7-04-SS	G3/4	2.5~4	12	30/31
*G1-H7-06-SS	G1	4~6	15	38/40
*G1-H7-04-SS	G1	2.5~4	15	38/40
G1-1/4-H7-08-SS	G1-1/4	6~8	15	48/50
*G1-1/2-H7-10-SS	G1-1/2	8~10	15	55/60
G1-1/2-H7-08-SS	G1-1/2	6~8	15	55/50
*G2-H7-12-SS	G2	9~12	15	71/76
*NPT1/2-H7-02-SS	NPT1/2	1.2~2.1	13	24/26
NPT3/4-H7-04-SS	NPT3/4	2.5~4	13	30/31
*NPT1-H7-06-SS	NPT1	4~6	15	38/40
*NPT1-H7-04-SS	NPT1	2.5~4	15	38/40
NPT1-1/4-H7-08-SS	NPT1-1/4	6~8	15	48/50
*NPT1-1/2-H7-10-SS	NPT1-1/2	8~10	15	55/60
NPT1-1/2-H7-08-SS	NPT1-1/2	6~8	15	55/50