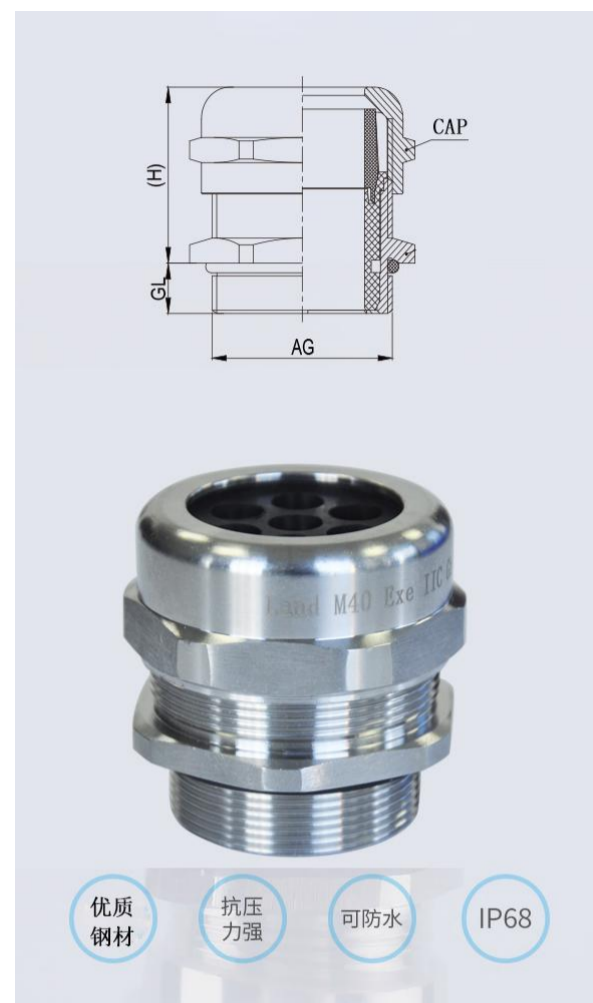


H系列-九孔十孔不锈钢防水接头说明书

- 产品材料:** 默认304, 可选316及316L, 密封件为EPDM橡胶
- 防护等级:** 规定卡口范围内, 配合密封圈, 防护等级可达IP68
- 工作温度:** 测试-40° ~ 105°零件无损坏且保障设备正常运转
- 阻燃等级:** UL94V-2, 可定制V0级阻燃
- 产品性能:** 多根电缆同时锁紧密封, 大大节省空间利用率

•订购说明:

- 1) 默认发货不附螺母, 如需需要单独购买, 请知悉
- 2) 默认为304材质, 如需316, 请将型号后缀 "-SS" 改成" S316"
- 3) 整套包含: 垫片, 主体, 密封圈, 螺帽为一套;
- 4) 产品价格为 (人民币: 元/套, 美元: USD/set) ;
- 5) 本款产品接受定制任意长度, 具体价格咨询客服。



Multi hole stainless steel cable gland

- Product material:** default 304, optional 316 and 316L seal is EPDM rubber
- Protection grade:** within the specified bayonet range, with the seal ring, the protection grade can reach IP68
- Working temperature:** test - 40 °~105 ° parts to ensure no damage and normal operation of equipment
- Flame retardant grade:** UL94V-2, customized V0
- Product performance:** Multiple cables are locked and sealed at the same time, greatly saving space utilization
- Ordering Instructions:**

- 1) The default delivery does not include nuts. If you need to purchase separately, please know
- 2) The default is 304 material. If 316 is required, please change the model suffix "- SS" to "S316"
- 3) The whole set includes: one set of gasket, main body, sealing ring and nut;
- 4) The product price is (RMB: yuan/set, USD: USD/set).
- 5) This product can be customized to any length. Please consult customer service for specific price.



九孔尺寸表/nine holes Size Table

| 蓝江产品型号 | 螺纹规格 | 电缆范围 | 螺纹长度 | 扳手尺寸 |
|-------------------|-------------|-------------|---------------|-------------|
| Product model | Thread size | Cable range | Thread length | Wrench Size |
| PN. | M-PG-G-NPT | mm | mm | nut/cap mm |
| MG40-H9-05-SS | M40×1.5/2.0 | 3~5 | 14 | 48/50 |
| MG42-H9-05-SS | M42×2.0 | 3~5 | 15 | 48/50 |
| MG48-H9-05-SS | M48×2.0 | 3~5 | 15 | 58/50 |
| *MG50-H9-06-SS | M50×1.5 | 4~6 | 15 | 58/60 |
| MG50S-H9-05-SS | M50×1.5 | 3~5 | 15 | 54/50 |
| *MG63-H9-08-SS | M63×1.5 | 6~8 | 15 | 71/76 |
| PG36-H9-05-SS | PG36 | 3~5 | 15 | 58/50 |
| *PG42-H9-06-SS | PG42 | 6~8 | 15 | 60/60 |
| *PG48-H9-08-SS | PG48 | 8~10 | 15 | 71/65 |
| G1-1/4-H9-05-SS | G1-1/4 | 3~5 | 15 | 48/50 |
| G1-1/2-H9-05-SS | G1-1/2 | 3~5 | 15 | 55/50 |
| NPT1-1/4-H9-05-SS | NPT1-1/4 | 3~5 | 15 | 48/50 |
| NPT1-1/2-H9-05-SS | NPT1-1/2 | 3~5 | 15 | 55/50 |

十孔尺寸表/Ten hole size table

| 蓝江产品型号 | 螺纹规格 | 电缆范围 | 螺纹长度 | 扳手尺寸 |
|--------------------|-------------|-------------|---------------|-------------|
| Product model | Thread size | Cable range | Thread length | Wrench Size |
| PN. | M-PG-G-NPT | mm | mm | nut/cap mm |
| MG40-H10-05-SS | M40×1.5 | 3~5 | 14 | 48/50 |
| MG42-H10-05-SS | M42×2.0 | 3~5 | 15 | 48/50 |
| MG48-H10-05-SS | M48×2.0 | 3~5 | 15 | 58/50 |
| *MG50-H10-06-SS | M50×1.5 | 4~6 | 15 | 58/60 |
| MG50S-H10-05-SS | M50×1.5 | 3~5 | 15 | 54/50 |
| PG36-H10-05-SS | PG36 | 3~5 | 15 | 58/50 |
| *PG42-H10-05-SS | PG42 | 3~5 | 15 | 60/60 |
| G1-1/4-H10-05-SS | G1-1/4 | 3~5 | 15 | 48/50 |
| G1-1/2-H10-05-SS | G1-1/2 | 3~5 | 15 | 55/50 |
| NPT1-1/4-H10-05-SS | NPT1-1/4 | 3~5 | 15 | 48/50 |
| NPT1-1/2-H10-05-SS | NPT1-1/2 | 3~5 | 15 | 55/50 |