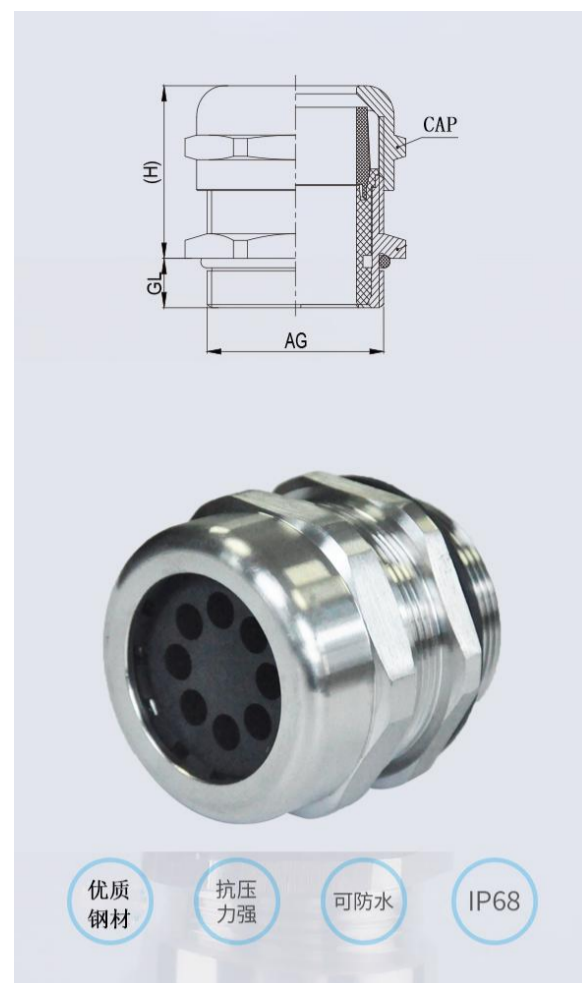


H系列-八孔不锈钢防水接头说明书

- 产品材料:** 默认304, 可选316及316L, 密封件为EPDM橡胶
- 防护等级:** 规定卡口范围内, 配合密封圈, 防护等级可达IP68
- 工作温度:** 测试-40° ~ 105°零件无损坏且保障设备正常运转
- 阻燃等级:** UL94V-2, 可定制V0级阻燃
- 产品性能:** 多根电缆同时锁紧密封, 大大节省空间利用率

•订购说明:

- 1) 默认发货不附螺母, 如需需要单独购买, 请知悉
- 2) 默认为304材质, 如需316, 请将型号后缀 "-SS" 改成" S316"
- 3) 整套包含: 垫片, 主体, 密封圈, 螺帽为一套;
- 4) 产品价格为 (人民币: 元/套, 美元: USD/set) ;
- 5) 本款产品接受定制任意长度, 具体价格咨询客服。



Multi hole stainless steel cable gland

- Product material:** default 304, optional 316 and 316L seal is EPDM rubber
- Protection grade:** within the specified bayonet range, with the seal ring, the protection grade can reach IP68
- Working temperature:** test - 40 °~105 ° parts to ensure no damage and normal operation of equipment
- Flame retardant grade:** UL94V-2, customized V0
- Product performance:** Multiple cables are locked and sealed at the same time, greatly saving space utilization
- Ordering Instructions:**

- 1) The default delivery does not include nuts. If you need to purchase separately, please know
- 2) The default is 304 material. If 316 is required, please change the model suffix "- SS" to "S316"
- 3) The whole set includes: one set of gasket, main body, sealing ring and nut;
- 4) The product price is (RMB: yuan/set, USD: USD/set).
- 5) This product can be customized to any length. Please consult customer service for specific price.



八孔尺寸表/Eight holes Size Table

蓝江产品型号	螺纹规格	电缆范围	螺纹长度	扳手尺寸
Product model	Thread size	Cable range	Thread length	Wrench Size
PN.	M-PG-G-NPT	mm	mm	nut/cap mm
MG16-H8-02-SS	M16×1.5	1.2 ~ 2.1	9.5	20/21
MG18-H8-02-SS	M18×1.5	1.2 ~ 2.1	9.5	21/21
MG20-H8-02-SS	M20×1.5	1.2 ~ 2.1	12	24/26
MG25-H8-04-SS	M25×1.5	2.5 ~ 4	12	30/31
MG27-H8-04-SS	M27×1.5/2.0	2.5 ~ 4	12	30/31
MG30-H8-04-SS	M30×1.5/2.0	2.5 ~ 4	12.5	34/40
MG32S-H8-04-SS	M32×1.5	2.5 ~ 4	12	38/31
MG40-H8-06-SS	M40×1.5/2.0	4 ~ 6	14	48/50
MG40-H8-05-SS	M40×1.5/2.0	3 ~ 5	14	48/50
MG42-H8-06-SS	M42×2.0	4 ~ 6	15	48/50
MG42-H8-05-SS	M42×2.0	3 ~ 5	15	48/50
MG48-H8-06-SS	M48×2.0	4 ~ 6	15	58/50
MG48-H8-05-SS	M48×2.0	3 ~ 5	15	58/50
PG11-H8-02-SS	PG11	1.2 ~ 2.1	9.5	21/21
PG21-H8-04-SS	PG21	2.5 ~ 4	12	32/31
PG36-H8-06-SS	PG36	4 ~ 6	15	58/50
PG36-H8-05-SS	PG36	3 ~ 5	15	58/50
*PG48-H8-10-SS	PG48	8 ~ 10	15	71/65
*G1/2-H8-02-SS	G1/2	1.2 ~ 2.1	12	24/26
G3/4-H8-04-SS	G3/4	2.5 ~ 4	12	30/31
G1-1/4-H8-06-SS	G1-1/4	4 ~ 6	15	48/50
G1-1/4-H8-05-SS	G1-1/4	3 ~ 5	15	48/50
G1-1/2-H8-06-SS	G1-1/2	4 ~ 6	15	55/50
G1-1/2-H8-05-SS	G1-1/2	3 ~ 5	15	55/50
*NPT1/2-H8-02-SS	NPT1/2	1.2 ~ 2.1	13	24/26
NPT3/4-H8-04-SS	NPT3/4	2.5 ~ 4	13	30/31
NPT1-1/4-H8-06-SS	NPT1-1/4	4 ~ 6	15	48/50
NPT1-1/4-H8-05-SS	NPT1-1/4	3 ~ 5	15	48/50
NPT1-1/2-H8-06-SS	NPT1-1/2	4 ~ 6	15	55/50
NPT1-1/2-H8-05-SS	NPT1-1/2	3 ~ 5	15	55/50