

EMC系列-防磁波不锈钢电缆接头

•**产品材料:** 默认 304, 可选 316 及 316L, 密封件为EPDM 橡胶

•**防护等级:** IP68

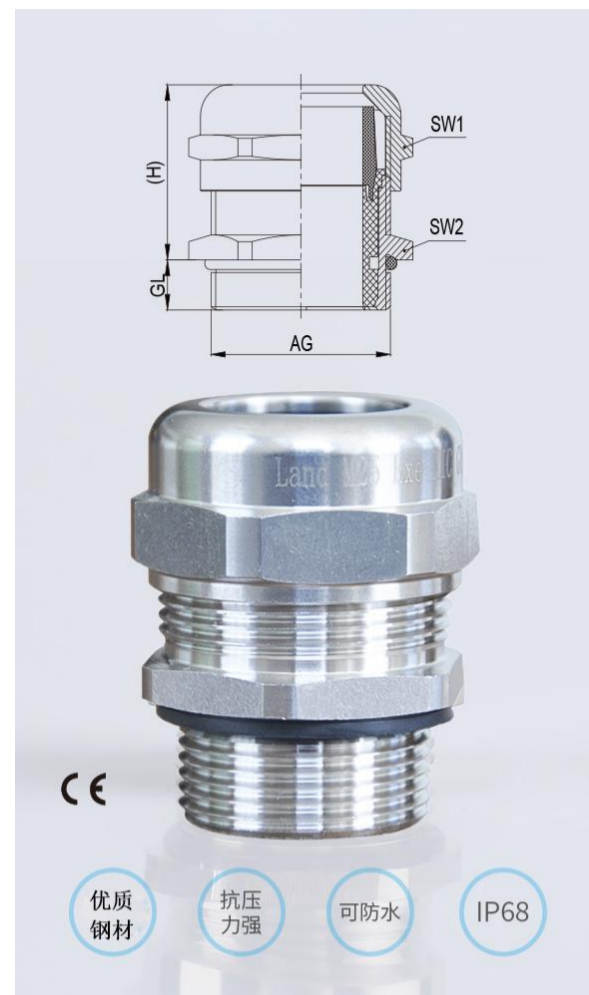
•**工作温度:** $-40^{\circ} \sim 105^{\circ}$, 短时可达 120°

•**阻燃等级:** UL94V-2, 可定制V0 级阻燃

•**产品性能:** 符合EMC标准, 可有效屏蔽电磁干扰

•**订购说明:**

- 1) 默认发货不附螺母, 如需另外订购, 具体联系客服
- 2) 产品价格为 (人民币: 元/套, 美元: USD/set)
- 3) 如需316或316L材质, 请将型号后缀 "SS" 变更为 "S316" 或 "S316L"



EMC stainless steel cable gland

•**Product material:** default 304, optional 316 and 316L, seal is EPDM rubber

•**Protection grade:** IP68

•**Working temperature:** $-40^{\circ} \sim 105^{\circ}$, 120° for a short time

•**Flame retardant grade:** UL94V-2, customized V0 flame retardant

•**Product performance:** in line with EMC standards, which can effectively shield electromagnetic interference

•**Ordering instructions:**

- 1) The default delivery does not include nuts. If you need to order separately, please contact the customer service
- 2) The product price is (RMB: yuan/set, USD: USD/set)
- 3) If 316 or 316L material is required, please change the model suffix "SS" to "S316" Or "S316L"



公制 M 螺纹/Metric thread

蓝江产品型号	螺纹规格	电缆范围	螺纹长度	扳手尺寸
Product model	Thread size	Cable range	Thread length	Wrench Size
PN.	Metric	φ mm	GL mm	nut/cap mm
EMC-MG12-08-SS	M12×1.5	4~8	9	15/17
EMC-MG12-05-SS	M12×1.5	3~5.5	9	15/17
EMC-MG14-08-SS	M14×1.5	4~8	9	17/17
EMC-MG14-05-SS	M14×1.5	3~5.5	9	17/17
EMC-MG16S-08-SS	M16×1.5	4~8	9.5	20/17
EMC-MG16S-05-SS	M16×1.5	3~5.5	9.5	20/17
EMC-MG16-10-SS	M16×1.5	6~10	9.5	20/21
EMC-MG16-07-SS	M16×1.5	4~7	9.5	20/21
EMC-MG16-05-SS	M16×1.5	3~5	9.5	20/21
EMC-MG16-04-SS	M16×1.5	2~4.3	9.5	20/21
EMC-MG18-10-SS	M18×1.5	6~10	9.5	21/21
EMC-MG18-07-SS	M18×1.5	4~7	9.5	21/21
EMC-MG20-14-SS	M20×1.5	8~14	12	24/26
EMC-MG20S-12-SS	M20×1.5	7~12	12	24/24
EMC-MG20S-11-SS	M20×1.5	6~11	12	24/24
EMC-MG20S-09-SS	M20×1.5	5~9	12	24/24
EMC-MG20X-08-SS	M20×1.5	4~8	12	24/18
EMC-MG20X-05-SS	M20×1.5	3~5.5	12	24/18
EMC-MG22-14-SS	M22×1.5	8~14	12	26/26
EMC-MG22-12-SS	M22×1.5	8~12	12	26/26
EMC-MG22-06-SS	M22×1.5	3~6.5	12	26/26
EMC-MG24-14-SS	M24×1.5	8~14	10.5	28/26
EMC-MG24-12-SS	M24×1.5	8~12	10.5	28/26
EMC-MG24-06-SS	M24×1.5	3~6.5	10.5	28/26
EMC-MG25-18-SS	M25×1.5	13~18	12	30/31
EMC-MG25-16-SS	M25×1.5	12~16	12	30/31
EMC-MG25-14-SS	M25×1.5	8~14	12	30/31
EMC-MG25-13-SS	M25×1.5	7~13	12	30/31
EMC-MG25-10-SS	M25×1.5	6~10	12	30/31
EMC-MG27-18-SS	M27×1.5/2.0	13~18	12	30/31
EMC-MG27-16-SS	M27×1.5/2.0	12~16	12	30/31
EMC-MG30-25-SS	M30×1.5/2.0	18~25	12.5	34/40

蓝江产品型号	螺纹规格	电缆范围	螺纹长度	扳手尺寸
Product model	Thread size	Cable range	Thread length	Wrench Size
PN.	Metric	φ mm	GL mm	nut/cap mm
EMC-MG30-22-SS	M30×1.5/2.0	17 ~ 22	12.5	34/40
EMC-MG30-18-SS	M30×1.5/2.0	13 ~ 18	12.5	34/31
EMC-MG30-16-SS	M30×1.5/2.0	12 ~ 16	12.5	34/31
EMC-MG32-25-SS	M32×1.5	18 ~ 25	12.5	38/40
EMC-MG32-22-SS	M32×1.5	17 ~ 22	12.5	38/40
EMC-MG32S-18-SS	M32×1.5	13 ~ 18	12	38/31
EMC-MG32S-16-SS	M32×1.5	12 ~ 16	12	38/31
EMC-MG32S-14-SS	M32×1.5	8 ~ 14	12	38/31
EMC-MG32S-10-SS	M32×1.5	6 ~ 10	12	38/31
EMC-MG33-25-SS	M33×2.0	18 ~ 25	14.5	38/40
EMC-MG33-22-SS	M33×2.0	17 ~ 22	14.5	38/40
EMC-MG36-25-SS	M36×1.5/2.0	18 ~ 25	13	42/40
EMC-MG36-22-SS	M36×1.5/2.0	17 ~ 22	13	42/40
EMC-MG40-31-SS	M40×1.5/2.0	25 ~ 31	14	48/50
EMC-MG40-25-SS	M40×1.5/2.0	18 ~ 25	14	48/50
EMC-MG40S-25-SS	M40×1.5	18 ~ 25	14	48/40
EMC-MG40S-22-SS	M40×1.5	17 ~ 22	14	48/40
EMC-MG42-31-SS	M42×2.0	25 ~ 31	15	48/50
EMC-MG42-25-SS	M42×2.0	18 ~ 25	15	48/50
EMC-MG48-31-SS	M48×2.0	25 ~ 31	15	58/50
EMC-MG48-25-SS	M48×2.0	18 ~ 25	15	58/50
EMC-MG50-41-SS	M50×1.5	33 ~ 41	15	58/60
EMC-MG50-33-SS	M50×1.5	25 ~ 33	15	58/60
EMC-MG50S-31-SS	M50×1.5	25 ~ 31	15	54/50
EMC-MG50S-25-SS	M50×1.5	18 ~ 25	15	54/50
EMC-MG60-44-SS	M60×2.0	36 ~ 44	15	71/65
EMC-MG63S-44-SS	M63×1.5	36 ~ 44	15	71/65
EMC-MG64-44-SS	M64×2.0	36 ~ 44	15	71/65

德制 PG 螺纹/PG Thread

蓝江产品型号	螺纹规格	电缆范围	螺纹长度	扳手尺寸
Product model	Thread size	Cable range	Thread length	Wrench Size
PN.	PG	mm	mm	nut/cap mm
EMC-PG7-08-SS	PG7	4~8	9	15/17
EMC-PG7-05-SS	PG7	3~5.5	9	15/17
EMC-PG7-03-SS	PG7	2~3.2	9	15/17
EMC-PG9-08-SS	PG9	4~8	9	17/17
EMC-PG9-05-SS	PG9	3~5.5	9	17/17
EMC-PG9-03-SS	PG9	2~3.2	9	17/17
EMC-PG11-10-SS	PG11	6~10	9.5	21/21
EMC-PG11-07-SS	PG11	4~7	9.5	21/21
EMC-PG11-05-SS	PG11	3~5	9.5	21/21
EMC-PG13.5-14-SS	PG13.5	8~14	10.5	24/26
EMC-PG13.5-12-SS	PG13.5	7~12	10.5	24/24
EMC-PG13.5-11-SS	PG13.5	6~11	10.5	24/24
EMC-PG13.5-09-SS	PG13.5	5~9	10.5	24/24
EMC-PG16-14-SS	PG16	8~14	12	26/26
EMC-PG16-12-SS	PG16	8~12	12	26/26
EMC-PG16-06-SS	PG16	3~6.5	12	26/26
EMC-PG19-14-SS	PG19	8~14	10.5	28/26
EMC-PG21-18-SS	PG21	13~18	12	32/31
EMC-PG21-16-SS	PG21	12~16	12	32/31
EMC-PG21-14-SS	PG21	8~14	12	32/31
EMC-PG21-10-SS	PG21	6~10	12	32/31
EMC-PG25-18-SS	PG25	13~18	12.5	34/31
EMC-PG25-16-SS	PG25	12~16	12.5	34/31
EMC-PG29-25-SS	PG29	18~25	12.5	40/40
EMC-PG29-22-SS	PG29	17~22	12.5	40/40
EMC-PG36-31-SS	PG36	25~31	15	58/50
EMC-PG36-25-SS	PG36	18~25	15	58/50
EMC-PG42-41-SS	PG42	33~41	15	60/60
EMC-PG42-33-SS	PG42	25~33	15	60/60
EMC-PG48-44-SS	PG48	36~44	15	71/65

英制 G 管螺纹/G thread

蓝江产品型号	螺纹规格	电缆范围	螺纹长度	扳手尺寸
Product model	Thread size	Cable range	Thread length	Wrench Size
PN.	G(PF)	mm	mm	nut/cap mm
EMC-G1/4-08-SS	G1/4	4 ~ 8	9	17/17
EMC-G1/4-05-SS	G1/4	3 ~ 5.5	9	17/17
EMC-G1/4-3.2-SS	G1/4	2 ~ 3.2	9	17/17
EMC-G3/8-10-SS	G3/8	6 ~ 10	9.5	21/21
EMC-G3/8-07-SS	G3/8	4 ~ 7	9.5	21/21
EMC-G3/8-05-SS	G3/8	3 ~ 5	9.5	21/21
EMC-G1/2-14-SS	G1/2	8 ~ 14	12	24/26
EMC-G1/2-12-SS	G1/2	7 ~ 12	12	24/24
EMC-G1/2-11-SS	G1/2	6 ~ 11	12	24/24
EMC-G1/2-09-SS	G1/2	5 ~ 9	12	24/24
EMC-G3/4-18-SS	G3/4	13 ~ 18	12	30/31
EMC-G3/4-16-SS	G3/4	12 ~ 16	12	30/31
EMC-G3/4-14-SS	G3/4	8 ~ 14	12	30/31
EMC-G3/4-10-SS	G3/4	6 ~ 10	12	30/31
EMC-G1-25-SS	G1	18 ~ 25	15	38/40
EMC-G1-22-SS	G1	17 ~ 22	15	38/40
EMC-G1-1/4-31-SS	G1-1/4	25 ~ 31	15	48/50
EMC-G1-1/4-25-SS	G1-1/4	18 ~ 25	15	48/50
EMC-G1-1/2-41-SS	G1-1/2	33 ~ 41	15	55/60
EMC-G1-1/2-33-SS	G1-1/2	25 ~ 33	15	55/60
EMC-G1-1/2-31-SS	G1-1/2	25 ~ 31	15	55/50
EMC-G1-1/2-25-SS	G1-1/2	18 ~ 25	15	55/50
EMC-G2-44-SS	G2	36 ~ 44	15	71/65

美制 NPT 螺纹/NPT thread

蓝江产品型号	螺纹规格	电缆范围	螺纹长度	扳手尺寸
Product model	Thread size	Cable range	Thread length	Wrench Size
PN.	NPT	mm	mm	nut/cap mm
EMC-NPT1/4-08-SS	NPT1/4	4~8	9	17/17
EMC-NPT1/4-05-SS	NPT1/4	3~5.5	9	17/17
EMC-NPT1/4-3.2-SS	NPT1/4	2~3.2	9	17/17
EMC-NPT3/8-10-SS	NPT3/8	6~10	10	21/21
EMC-NPT3/8-07-SS	NPT3/8	4~7	10	21/21
EMC-NPT3/8-05-SS	NPT3/8	3~5	10	21/21
EMC-NPT1/2-14-SS	NPT1/2	8~14	13	24/26
EMC-NPT1/2-12-SS	NPT1/2	7~12	11	24/24
EMC-NPT1/2-11-SS	NPT1/2	6~11	11	24/24
EMC-NPT1/2-09-SS	NPT1/2	5~9	11	24/24
EMC-NPT3/4-18-SS	NPT3/4	13~18	13	30/31
EMC-NPT3/4-16-SS	NPT3/4	12~16	13	30/31
EMC-NPT3/4-14-SS	NPT3/4	8~14	13	30/31
EMC-NPT3/4-10-SS	NPT3/4	6~10	13	30/31
EMC-NPT1-25-SS	NPT1	18~25	15	38/40
EMC-NPT1-22-SS	NPT1	17~22	15	38/40
EMC-NPT1-1/4-31-SS	NPT1-1/4	25~31	15	48/50
EMC-NPT1-1/4-25-SS	NPT1-1/4	18~25	15	48/50
EMC-NPT1-1/2-41-SS	NPT1-1/2	33~41	15	55/60
EMC-NPT1-1/2-33-SS	NPT1-1/2	25~33	15	55/60
EMC-NPT1-1/2-31-SS	NPT1-1/2	25~31	15	55/50
EMC-NPT1-1/2-25-SS	NPT1-1/2	18~25	15	55/50
EMC-NPT2-44-SS	NPT2	36~44	15	71/65