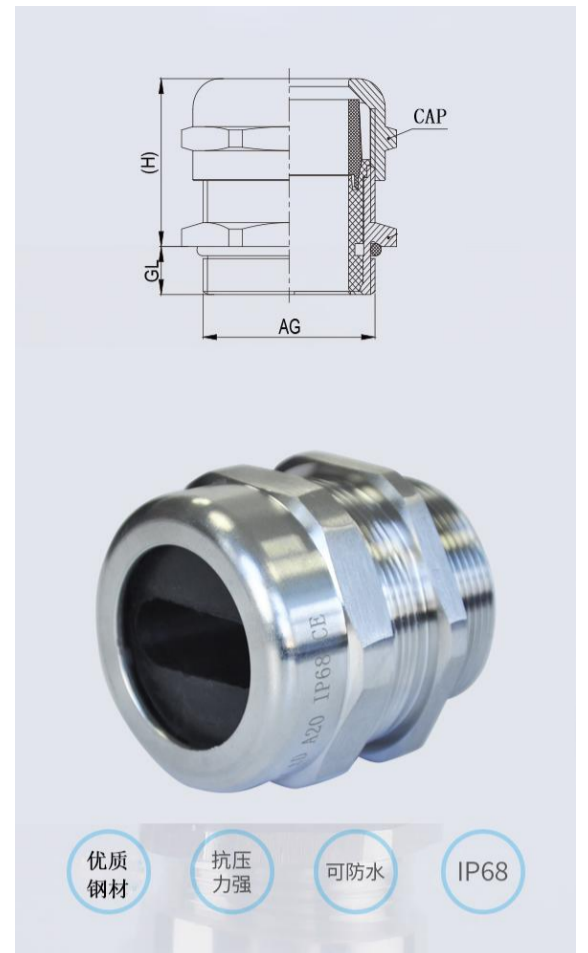


扁孔不锈钢防水接头

- 产品材料:** 默认304, 可选316及316L, 密封件为EPDM橡胶
- 防护等级:** IP68
- 工作温度:** -40° ~ 105°, 短时120°
- 阻燃等级:** UL94V-2, 可定制V0级阻燃
- 产品性能:** 适用于扁电缆及伴热带锁紧密封

•订购说明:

- 1) 默认发货不附螺母, 如需需要单独购买, 请知悉
- 2) 默认为304材质, 如需316, 请将型号后缀 "-SS" 改成 "S316"
- 3) 产品价格为 (人民币: 元/套, 美元: USD/set) ;



Flat hole stainless steel waterproof gland

- Product material:** default 304, optional 316 and 316L, seal is EPDM rubber
- Protection grade:** IP68
- Operating temperature:** - 40 °~105 °, short-term 120 °
- Flame retardant grade:** UL94V-2, customized V0 flame retardant
- Product performance:** Suitable for locking and sealing of flat cable and tracing band

•Ordering instructions:

- 1) The default delivery does not include nuts. If you need to purchase separately, please know
- 2) The default is 304 material. If 316 is required, please change the model suffix "- SS" to "S316"
- 3) The product price is (RMB: yuan/set, USD: USD/set);

产品应用场合/Application occasion



公制螺纹尺寸表/Metric Thread Size Table

蓝江产品型号	螺纹规格	扁线尺寸	螺纹长度	扳手尺寸
Product model	Thread size	Cable size	Thread length	Wrench Size
PN.	Metric	H&W mm	GL mm	nut/cap mm
MG20-0410-SS	M20×1.5	4*10	12	24/26
MG20-0814-SS	M20×1.5	8*14	12	24/26
MG20S-0508-SS	M20×1.5	5*8	12	24/24
MG20S-0712-SS	M20×1.5	7*12	12	24/24
MG22-0410-SS	M22×1.5	4*10	12	26/26
MG22-0814-SS	M22×1.5	8*14	12	26/26
MG24-0410-SS	M24×1.5	4*10	10.5	28/26
MG24-0814-SS	M24×1.5	8*14	10.5	28/26
MG25-0614-SS	M25×1.5	6*14	12	30/31
MG27-0614-SS	M27×1.5/2.0	6*14	12	30/31
MG30-0519-SS	M30×1.5/2.0	5*19	12.5	34/40
MG30-0614-SS	M30×1.5/2.0	6*14	12.5	34/31
MG32-0519-SS	M32×1.5	5*19	12.5	38/40
MG32S-0614-SS	M32×1.5	6*14	12	38/31
MG33-0519-SS	M33×2.0	5*19	14.5	38/40
MG36-0519-SS	M36×1.5/2.0	5*19	13	42/40
MG40-1230-SS	M40×1.5/2.0	12*30	14	48/50
MG40-1232-SS	M40×1.5/2.0	12*32	14	48/50
MG40S-0519-SS	M40×1.5	5*19	14	48/40
MG42-1230-SS	M42×2.0	12*30	15	48/50
MG42-1232-SS	M42×2.0	12*32	15	48/50
MG48-1230-SS	M48×2.0	12*30	15	58/50
MG48-1232-SS	M48×2.0	12*32	15	58/50
MG50-1334-SS	M50×1.5	13*34	15	58/60
MG50S-1230-SS	M50×1.5	12*30	15	54/50
MG50S-1232-SS	M50×1.5	12*32	15	54/50
MG60-0542-SS	M60×2.0	5.5*42.5	15	71/65
MG63-1641-SS	M63×1.5	16.5*39.5	15	71/76
MG63S-0542-SS	M63×1.5	5.5*42.5	15	71/65
MG64-0541-SS	M64×2.0	16.5*39.5	15	71/76
MG64-0542-SS	M64×2.0	5.5*42.5	15	71/65

PG/G/NPT螺纹尺寸表/PG/G/NPT thread size table

蓝江产品型号	螺纹规格	电缆范围	螺纹长度	扳手尺寸
Product model	Thread size	Cable range	Thread length	Wrench Size
PN.	PG	mm	mm	nut/cap mm
PG13.5-0508-SS	PG13.5	5*8	10.5	24/24
PG13.5-0712-SS	PG13.5	7*12	10.5	24/24
PG16-0410-SS	PG16	4*10	12	26/26
PG16-0814-SS	PG16	8*14	12	26/26
PG21-0614-SS	PG21	6*14	12	32/31
PG29-0519-SS	PG29	5*19	12.5	40/40
PG36-1230-SS	PG36	12*30	15	58/50
PG42-1334-SS	PG42	13*34	15	60/60
PG48-0542-SS	PG48	5.5*42.5	15	71/65
G1/2-0508-SS	G1/2	5*8	12	24/24
G1/2-0712-SS	G1/2	7*12	12	24/24
G1/2-0410-SS	G1/2	4*10	12	24/26
G1/2-0814-SS	G1/2	8*14	12	24/26
G3/4-0614-SS	G3/4	6*14	12	30/31
G1-0519-SS	G1	5*19	15	38/40
G1-1/4-1230-SS	G1-1/4	12*30	15	48/50
G1-1/2-1230-SS	G1-1/2	12*30	15	55/50
G1-1/2-1232-SS	G1-1/2	12*32	15	55/50
G2-0542-SS	G2	5.5*42.5	15	71/65
NPT1/2-0508-SS	NPT1/2	5*8	11	24/24
NPT1/2-0712-SS	NPT1/2	7*12	11	24/24
NPT1/2-0410-SS	NPT1/2	4*10	13	24/26
NPT1/2-0814-SS	NPT1/2	8*14	13	24/26
NPT3/4-0614-SS	NPT3/4	6*14	13	30/31
NPT1-0519-SS	NPT1	5*19	15	38/40
NPT1-1/4-1230-SS	NPT1-1/4	12*30	15	48/50
NPT1-1/2-1230-SS	NPT1-1/2	12*30	15	55/50
NPT1-1/2-1232-SS	NPT1-1/2	12*32	15	55/50
NPT2-0542-SS	NPT2	5.5*42.5	15	71/65