

90度弯角不锈钢防水接头

- 产品材料:** 默认304, 可选316及316L, 密封件为EPDM橡胶
- 防护等级:** IP68
- 工作温度:** -40° ~ 105°, 短时120°
- 阻燃等级:** UL94V-2, 可定制V0级阻燃
- 产品性能:** 90度一体化设计, 外形美观, 便捷穿线。
- 订购说明:**

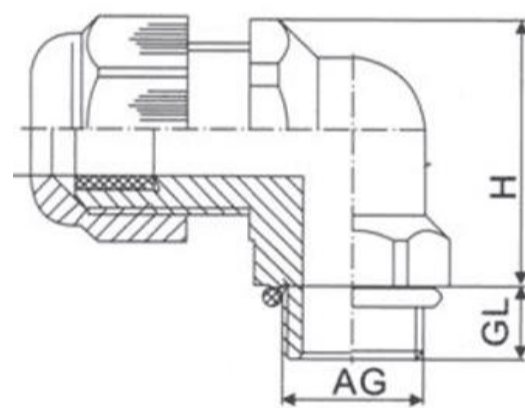
- 1) 默认发货不附螺母, 如需另外订购;
- 2) 默认为304材质, 如需316, 请将型号后缀“-SS”改成“S316”
- 3) 产品价格为 (人民币: 元/套, 美元: USD/set) ;



90 degree angle stainless steel waterproof gland

- Product material:** default 304, optional 316 and 316L, seal is EPDM rubber
- Protection grade:** IP68
- Operating temperature:** - 40 °~105 °, short-term 120 °
- Flame retardant grade:** UL94V-2, customized V0 flame retardant
- Product performance:** 90 degree integrated design, beautiful appearance, convenient threading.
- Ordering Instructions:**

- 1) The default delivery does not include nuts, if you need to order separately;
- 2) The default is 304 material. If 316 is required, please change the model suffix "- SS" to "S316"
- 3) The product price is (RMB: yuan/set, USD: USD/set);



产品尺寸/Product size

蓝江产品型号	螺纹规格	英制螺纹	电缆范围	螺纹长度	主体高度
Product model	Thread size	Thread size	Cable range	Thread length	Body height
PN.	Metric	G (PF)	φ mm	GL mm	H mm
MG20-E-10-SS	M18×1.5	G3/8	6 ~ 10	15	50
MG20-E-12-SS	M20×1.5	G1/2	7 ~ 12	15	52
MG20-E-14-SS	M20×1.5	G1/2	8 ~ 14	15	52
MG25-E-10-SS	M25×1.5	G3/4	6 ~ 10	15	57
MG25-E-14-SS	M25×1.5	G3/4	8 ~ 14	15	57
MG25-E-16-SS	M25×1.5	G3/4	12 ~ 16	15	57
MG25-E-18-SS	M25×1.5	G3/4	13 ~ 18	15	57
MG32-E-25-SS	M32×1.5	G1	18 ~ 25	15	70
MG32-E-22-SS	M32×1.5	G1	17 ~ 22	15	70