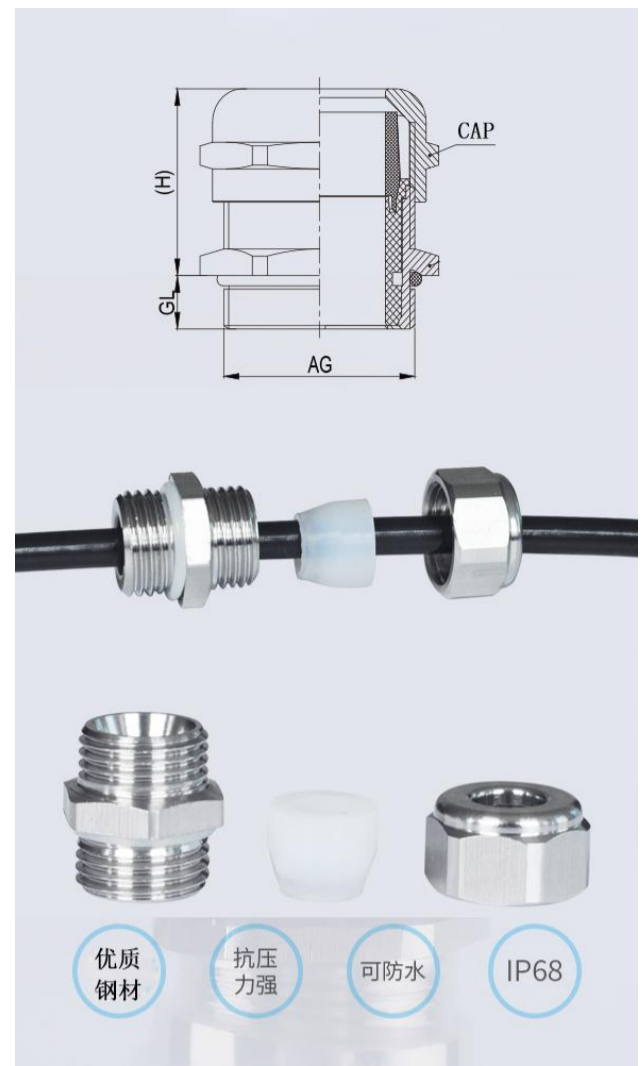


# 硅胶不锈钢防水接头

- 产品材料:** 默认304, 可选316及316L, 密封件为硅胶
- 防护等级:** IP68
- 工作温度:** -20° ~ 200°, 短时220°
- 阻燃等级:** UL94V-2, 可定制V0级阻燃
- 产品性能:** 耐高温场合使用, 保障密封性能
- 订购说明:**
  - 1) 默认发货不附螺母, 如需需要单独购买, 请知悉
  - 2) 默认为304材质, 如需316, 请将型号后缀 "-SS" 改成 "S316"
  - 3) 整套包含: O型圈, 主体, 密封圈, 螺帽为一套;
  - 4) 产品价格为 (人民币: 元/套, 美元: USD/set) ;

## Silicone stainless steel waterproof gland

- Product material:** default 304, optional 316 and 316L, and the seal is silicone
- Protection grade:** IP68
- Operating temperature:** - 20 °~200 °, short-term 220 °
- Flame retardant grade:** UL94V-2, customized V0 flame retardant
- Product performance:** It can be used in high-temperature occasions to ensure sealing performance
- Ordering Instructions:**
  - 1) The default delivery does not include nuts. If you need to purchase separately, please know
  - 2) The default is 304 material. If 316 is required, please change the model suffix "- SS" to "S316"
  - 3) The complete set includes: one set of O-ring, main body, sealing ring and nut;
  - 4) The product price is (RMB: yuan/set, USD: USD/set);



### 产品尺寸表/Product size

蓝江产品型号	螺纹规格	电缆范围	螺纹长度	扳手尺寸
Product model	Thread size	Cable range	Thread length	Wrench Size
PN.	M-PG-G-NPT	mm	mm	nut/cap mm
MG12C-06-SS	M12×1.5	3~6	7	17
MG14C-08-SS	M14×1.5	5~8	7	17
MG16C-08-SS	M16×1.5	5~8	8	18
MG18C-10-SS	M18×1.5	8~10	8	20
MG20C-12-SS	M20×1.5	10~12	8	22
PG7C-06-SS	PG7	3~6	7	17
PG9C-08-SS	PG9	5~8	7	17
PG11C-10-SS	PG11	8~10	7	20
PG13.5C-12-SS	PG13.5	10~12	8	22