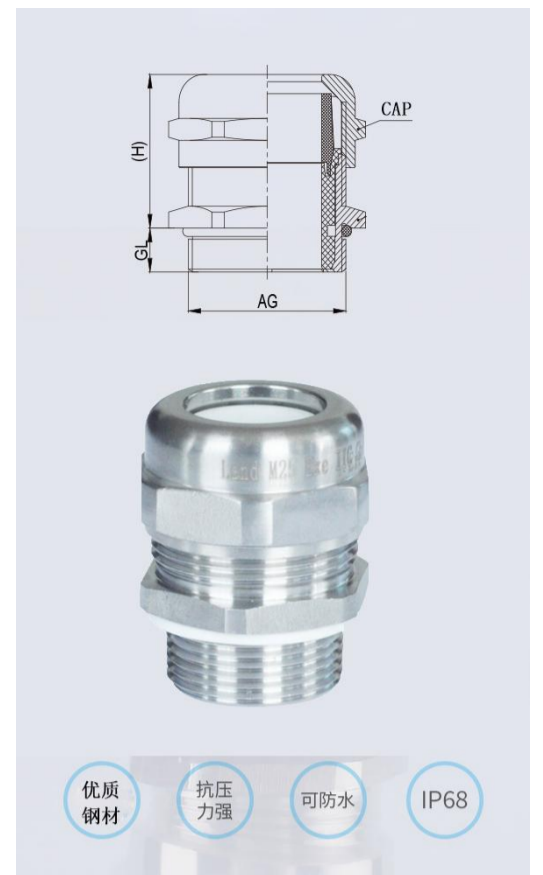


耐高温不锈钢防水接头

- 产品材料:** 默认304, 可选316及316L, 密封件为硅胶
- 防护等级:** IP68
- 工作温度:** -20° ~ 180°, 短时200°
- 阻燃等级:** UL94V-2, 可定制V0级阻燃
- 产品性能:** 耐高温场合使用, 保障密封性能

•订购说明:

- 1) 默认发货不附螺母, 如需需要单独购买, 请知悉
- 2) 默认为304材质, 如需316, 请将型号后缀 "-SS" 改成" S316"
- 3) 整套包含: 垫片, 主体, 密封圈, 螺帽为一套;
- 4) 产品价格为 (人民币: 元/套, 美元: USD/set) ;

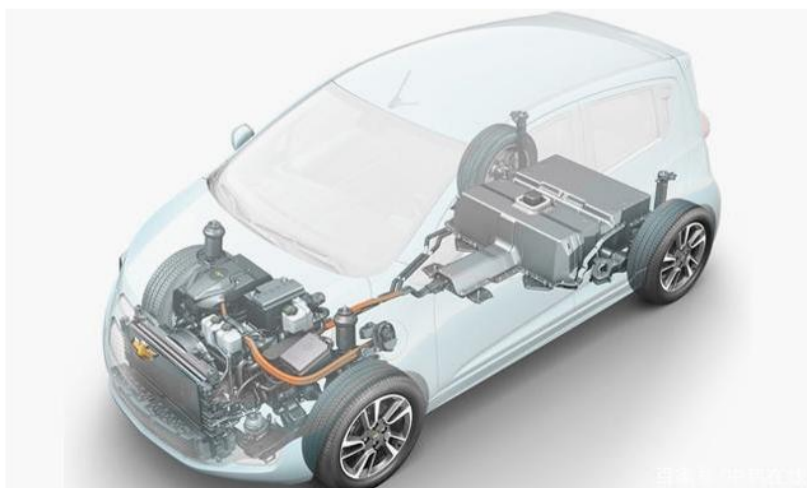


High temperature stainless steel waterproof gland

- Product material:** default 304, optional 316 and 316L, and the seal is silicone
- Protection grade:** IP68
- Working temperature:** - 20 ° ~ 180 °, 200 ° for short time
- Flame retardant grade:** UL94V-2, customized V0 flame retardant
- Product performance:** It can be used in high-temperature occasions to ensure sealing performance
- Ordering Instructions:**

- 1) The default delivery does not include nuts. If you need to purchase separately, please know
- 2) The default is 304 material. If 316 is required, please change the model suffix "- SS" to "S316"
- 3) The whole set includes: one set of gasket, main body, sealing ring and nut;
- 4) The product price is (RMB: yuan/set, USD: USD/set);

产品应用/Product application



产品尺寸表/Product size

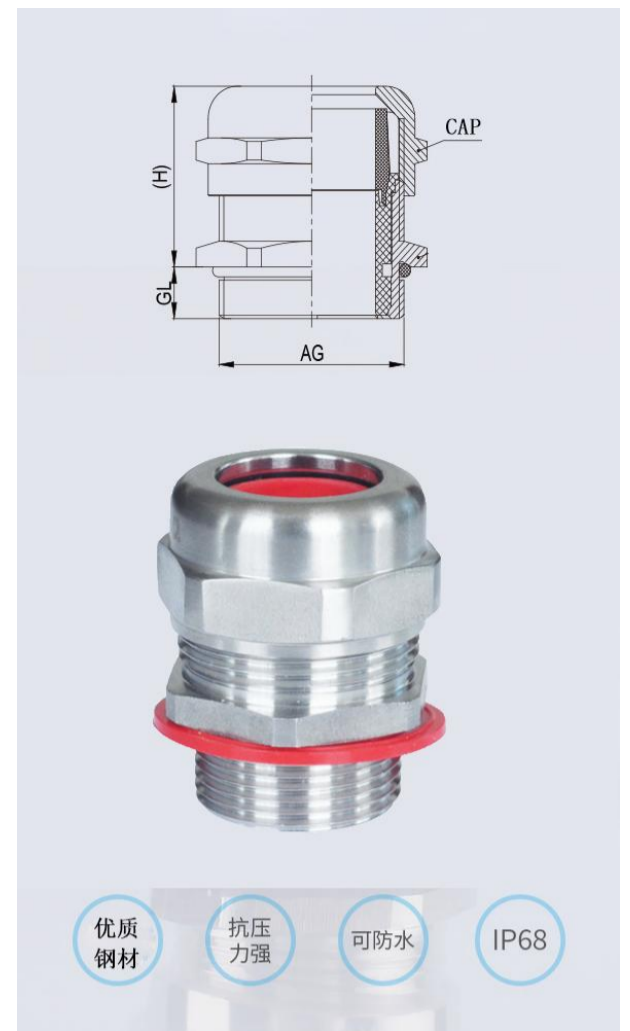
蓝江产品型号	螺纹规格	电缆范围	螺纹长度	扳手尺寸
Product model	Thread size	Cable range	Thread length	Wrench Size
PN.	Metric	φ mm	GL mm	nut/cap mm
MG12-08-SS	M12×1.5	4~8	9	15/17
MG14-08-SS	M14×1.5	4~8	9	17/17
MG16S-08-SS	M16×1.5	4~8	9.5	20/17
MG20-14-SS	M20×1.5	8~14	12	24/26
MG22-14-SS	M22×1.5	8~14	12	26/26
MG24-14-SS	M24×1.5	8~14	10.5	28/26
MG25-18-SS	M25×1.5	13~18	12	30/31
MG27-18-SS	M27×1.5/2.0	13~18	12	30/31
MG30-25-SS	M30×1.5/2.0	18~25	12.5	34/40
MG32-25-SS	M32×1.5	18~25	12.5	38/40
MG33-25-SS	M33×2.0	18~25	14.5	38/40
MG36-25-SS	M36×1.5/2.0	18~25	13	42/40
PG7-08-SS	PG7	4~8	9	15/17
PG9-08-SS	PG9	4~8	9	17/17
*PG11-10-SS	PG11	6~10	9.5	21/21
PG13.5-14-SS	PG13.5	8~14	10.5	24/26
PG16-14-SS	PG16	8~14	12	26/26
PG21-18-SS	PG21	13~18	12	32/31
PG29-25-SS	PG29	18~25	12.5	40/40
G1/4-08-SS	G1/4	4~8	9	17/17
*G3/8-10-SS	G3/8	6~10	9.5	21/21
G1/2-14-SS	G1/2	8~14	12	24/26
G3/4-18-SS	G3/4	13~18	12	30/31
*G1-25-SS	G1	18~25	15	38/40
NPT1/4-08-SS	NPT1/4	4~8	9	17/17
NPT3/8-10-SS	NPT3/8	6~10	10	21/21
NPT1/2-14-SS	NPT1/2	8~14	13	24/26
NPT3/4-18-SS	NPT3/4	13~18	13	30/31
*NPT1-25-SS	NPT1	18~25	15	38/40

V0阻燃不锈钢防水接头

- 产品材料:** 默认304, 可选316及316L, 密封件为改性橡胶
- 防护等级:** IP68
- 工作温度:** -40° ~ 105°, 短时120°
- 阻燃等级:** UL94V-0
- 产品性能:** 特种阻燃场合使用, 保证安全性能

•订购说明:

- 1) 默认发货不附螺母, 如需需要单独购买, 请知悉
- 2) 默认为304材质, 如需316, 请将型号后缀 "-SS" 改成 "S316"
- 3) 整套包含: 垫片, 主体, 密封圈, 螺帽为一套;
- 4) 产品价格为 (人民币: 元/套, 美元: USD/set) ;



V0 flame-stainless steel cable gland

- Product material:** default 304, optional 316 and 316L, seal is modified rubber
- Protection grade:** IP68
- Operating temperature:** - 40 °~105 °, short-term 120 °
- Flame retardant grade:** UL94V-0
- Product performance:** used in special flame-retardant occasions to ensure safety performance
- Ordering Instructions:**

- 1) **The default delivery does not include nuts. If you need to purchase separately, please know**
- 2) **The default is 304 material. If 316 is required, please change the model suffix "- SS" to "S316"**
- 3) **The whole set includes: one set of gasket, main body, sealing ring and nut;**
- 4) **The product price is (RMB: yuan/set, USD: USD/set);**

小知识:阻燃等级划分/Tips:Flame retardant grade

1: HB: UL94 标准中最低的阻燃等级。要求对于 3 到 13 毫米厚的样品, 燃烧速度小于 40 毫米每分钟; 小于 3 毫米厚的样品, 燃烧速度小于 70 毫米每分钟; 或者在 100 毫米的标志前熄灭/HB: the lowest flame retardant grade in UL94 standard. The required burning speed is less than 3 to 40 mm per minute for the sample thickness; For samples less than 3 mm thick, the combustion rate is less than 70 mm per minute; Or go out in front of the 100mm mark.

2: V-2: 对样品进行两次 10 秒的燃烧测试后, 火焰在 60 秒内熄灭。可以有燃烧物掉下。/V-2: after two 10 second combustion tests on the sample, the flame goes out within 60 seconds. There can be combustibles falling.

3: V-1: 对样品进行两次 10 秒的燃烧测试后, 火焰在 60 秒内熄灭。不能有燃烧物掉下。/V-1: after two 10 second combustion tests on the sample, the flame goes out within 60 seconds. No combustibles can fall.

4: V-0: 对样品进行两次 10 秒的燃烧测试后, 火焰在 30 秒内熄灭。不能有燃烧物掉下。/V-0: after two 10 second combustion tests on the sample, the flame goes out within 30 seconds. No combustibles can fall.

产品尺寸表/Product size

蓝江产品型号	螺纹规格	电缆范围	螺纹长度	扳手尺寸
Product model	Thread size	Cable range	Thread length	Wrench Size
PN.	M-PG-G-NPT	φ mm	GL mm	nut/cap mm
MG12-08-V0-SS	M12×1.5	4~8	9	15/17
MG14-08-V0-SS	M14×1.5	4~8	9	17/17
MG16-08-V0-SS	M16×1.5	4~8	9.5	20/17
MG16-10-V0-SS	M16×1.5	6~10	9.5	20/21
MG20-14-V0-SS	M20×1.5	8~14	12	24/26
MG20-12-V0-SS	M20×1.5	8~12	12	24/26
MG22-14-V0-SS	M22×1.5	8~14	12	26/26
MG22-12-V0-SS	M22×1.5	8~12	12	26/26
MG24-14-V0-SS	M24×1.5	8~14	10.5	28/26
MG24-12-V0-SS	M24×1.5	8~12	10.5	28/26
MG25-16-V0-SS	M25×1.5	12~16	12	30/31
MG27-16-V0-SS	M27×1.5/2.0	12~16	12	30/31
MG30-16-V0-SS	M30×1.5/2.0	12~16	12.5	34/31
MG32-22-V0-SS	M32×1.5	17~22	12.5	38/40
MG40-31-V0-SS	M40×1.5/2.0	25~31	14	48/50
MG42-31-V0-SS	M42×2.0	25~31	15	48/50
MG48-31-V0-SS	M48×2.0	25~31	15	58/50
PG7-08-V0-SS	PG7	4~8	9	15/17
PG9-08-V0-SS	PG9	4~8	9	17/17
PG11-10-V0-SS	PG11	6~10	9.5	21/21
PG13.5-14-V0-SS	PG13.5	8~14	10.5	24/26
PG13.5-12-V0-SS	PG13.5	7~12	10.5	24/26
PG16-14-V0-SS	PG16	8~14	12	26/26
PG16-12-V0-SS	PG16	8~12	12	26/26
PG19-14-V0-SS	PG19	8~14	10.5	28/26
PG21-16-V0-SS	PG21	12~16	12	32/31
PG25-16-V0-SS	PG25	12~16	12.5	34/31
PG29-22-V0-SS	PG29	17~22	12.5	40/40
PG36-31-V0-SS	PG36	25~31	15	58/50
G1/4-08-V0-SS	G1/4	4~8	9	17/17
G3/8-10-V0-SS	G3/8	6~10	9.5	21/21
G1/2-14-V0-SS	G1/2	8~14	12	24/26
G1/2-12-V0-SS	G1/2	7~12	12	24/24
G3/4-16-V0-SS	G3/4	12~16	12	30/31
G1-22-V0-SS	G1	17~22	15	38/40
G1-1/4-31-V0-SS	G1-1/4	25~31	15	48/50
G1-1/2-31-V0-SS	G1-1/2	25~31	15	55/50