

连体尼龙电缆防水接头

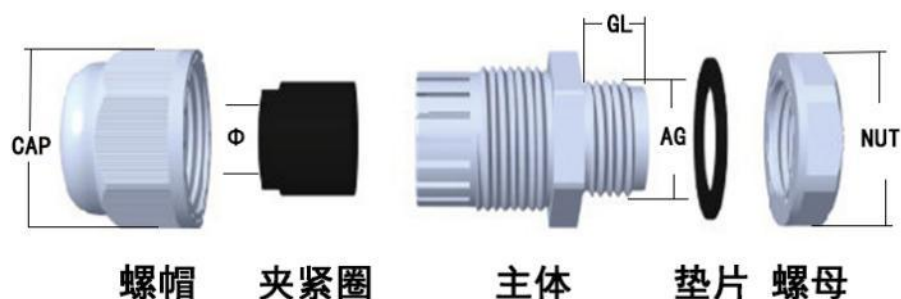
- 产品材料:** 尼龙+EPDM 橡胶
- 防护等级:** IP68
- 工作温度:** -40° ~ 105°,短时可达 120°
- 阻燃等级:** UL94V-2, 可定制 V0 级阻燃
- 产品性能:** 符合 ROHS2.0, 欧盟 CE, IP68 防护
- 订购说明:**



- 1) 标准五件套: 螺母 (NPT 无), 密封垫片, 主体, 夹紧圈, 螺帽;
- 2) 颜色请备注, 黑色后缀加 B, 灰白色后缀加 G;
- 3) 产品价格为 (人民币: 元/套, 美元: USD/set) 。

Nylon waterproof cable gland

- Materials:** Nylon + EPDM rubber
- Waterproof:** IP68
- Temperature:** -40° ~ 105°, Short-term 120°
- fire prevention:** UL94V-2, Customizable V0
- performance:** ROHS2 0, EU CE, IP68
- Ordering Information:**



螺帽 夹紧圈 主体 垫片 螺母

---B型连体式结构---

- 1) Standard five piece set: nut (NPT NO) , sealing gasket, main body, clamping ring, nut;
- 2) Please note the color, black suffix plus B, gray suffix plus G;
- 3) The product price is (RMB: yuan/set, USD: USD/set).



公制 M 螺纹/Metric thread

蓝江产品型号	螺纹规格	电缆范围	螺纹直径	螺纹长度	扳手尺寸
Product model	Thread size	Cable range	Thread diameter	Thread length	Wrench Size
PN.	Metric	φ mm	AG mm	GL mm	nut/cap mm
MG8B-04	M8×1.25	2~4.5	8	7.5	13/12
MG10B-06	M10×1.5	3~6	10	8	15/12
MG10B-03	M10×1.5	2~3	10	8	15/12
MG12B-08	M12×1.5	4~8	12	8.5	18/19
MG12B-05	M12×1.5	3~5	12	8.5	18/19
MG12BL-08	M12×1.5	4~8	12	15	18/19
MG12BL-05	M12×1.5	3~5	12	15	18/19
MG12BS-07	M12×1.5	3~6.5	12	8.5	18/15
MG12BSL-07	M12×1.5	3~6.5	12	15	18/15
MG16B-10	M16×1.5	6~10	16	10	22/22
MG16B-07	M16×1.5	4~7	16	10	22/22
MG16BL-10	M16×1.5	6~10	16	15	22/22
MG16BL-07	M16×1.5	4~7	16	15	22/22
MG16BS-08	M16×1.5	4~8	16	10	22/19
MG16BS-05	M16×1.5	3~5	16	10	22/19
MG16BSL-08	M16×1.5	4~8	16	15	22/19
MG16BSL-05	M16×1.5	3~5	16	15	22/19
MG18B-10	M18×1.5	6~10	18	10	24/22
MG18B-07	M18×1.5	4~7	18	10	24/22
MG18BL-10	M18×1.5	6~10	18	15	24/22
MG18BL-07	M18×1.5	4~7	18	15	24/22
MG20B-14	M20×1.5	8~14	20	10	27/27
MG20B-11	M20×1.5	6~11	20	10	27/27
MG20B-07	M20×1.5	4~7	20	10	27/27

蓝江产品型号	螺纹规格	电缆范围	螺纹直径	螺纹长度	扳手尺寸
Product model	Thread size	Cable range	Thread diameter	Thread length	Wrench Size
PN.	Metric	φ mm	AG mm	GL mm	nut/cap mm
MG20BL-14	M20×1.5	8~14	20	15	27/27
MG20BL-11	M20×1.5	6~11	20	15	27/27
MG20BL-07	M20×1.5	4~7	20	15	27/27
MG20BS-12	M20×1.5	6~12	20	10	27/24
MG20BS-09	M20×1.5	5~9	20	10	27/24
MG20BSL-12	M20×1.5	6~12	20	15	27/24
MG20BSL-09	M20×1.5	5~9	20	15	27/24
MG20BM-10	M20×1.5	6~10	20	10	27/22
MG20BM-07	M20×1.5	4~7	20	10	27/22
MG22B-14	M22×1.5	8~14	22	10	29/27
MG22B-11	M22×1.5	6~11	22	10	29/27
MG24B-14	M24×1.5	8~14	24	10	30/27
MG25B-18	M25×1.5	13~18	25	12	33/33
MG25B-13	M25×1.5	7~13	25	12	33/33
MG25B-08	M25×1.5	4~8	25	12	33/33
MG25BL-18	M25×1.5	13~18	25	15	33/33
MG25BL-13	M25×1.5	7~13	25	15	33/33
MG25BL-08	M25×1.5	4~8	25	15	33/33
MG25BS-14	M25×1.5	8~14	25	12	33/27
MG25BS-10	M25×1.5	6~10	25	12	33/27
MG25BS-07	M25×1.5	4~7	25	12	33/27
MG27B-18	M27×2.0	13~18	27	15	34/33
MG30B-20	M30×1.5	16~21	30	12	37/35
MG32B-25	M32×1.5	18~25	32	15	41/41
MG32B-22	M32×1.5	16~22	32	15	41/41
MG32B-18	M32×1.5	13~18	32	15	41/41

蓝江产品型号	螺纹规格	电缆范围	螺纹直径	螺纹长度	扳手尺寸
Product model	Thread size	Cable range	Thread diameter	Thread length	Wrench Size
PN.	Metric	φ mm	AG mm	GL mm	nut/cap mm
MG32B-12	M32×1.5	8 ~ 12	32	15	41/41
MG36B-25	M36×1.5	18 ~ 25	36	12	45/41
MG36B-25	M36×2.0	18 ~ 25	36	12	45/41
MG40B-32	M40×1.5	24 ~ 32	40	20	50/50
MG40B-25	M40×1.5	18 ~ 25	40	20	50/50
MG40BS-25	M40×1.5	18 ~ 25	40	20	50/41
MG40BS-22	M40×1.5	16 ~ 22	40	20	50/41
MG42B-32	M42×2.0	24 ~ 32	42	15	52/50
MG42B-25	M42×2.0	18 ~ 25	42	15	52/50
MG48B-32	M48×2.0	31 ~ 41	48	16	50/50
MG48B-28	M48×2.0	22 ~ 28	48	16	50/50
MG50B-41	M50×1.5	31 ~ 41	50	22	62/62
MG50B-28	M50×1.5	22 ~ 28	50	22	62/62
MG56B-41	M56×2.0	31 ~ 41	56	16	64/50
MG56B-28	M56×2.0	22 ~ 28	56	16	64/50
MG60B-44	M60×2.0	35 ~ 45	60	18	72/75
MG63B-45	M63×1.5	35 ~ 45	63	18	75/65

PG 螺纹/PG thread

蓝江产品型号	螺纹规格	电缆范围	螺纹直径	螺纹长度	扳手尺寸
Product model	Thread size	Cable range	Thread diameter	Thread length	Wrench Size
PN.	PG/G/NPT	φ mm	AG mm	GL mm	nut/cap mm
PG7B-08	PG7	4~8	12.5	8.5	17/19
PG7B-05	PG7	3~5	12.5	8.5	17/19
PG7BL-08	PG7	4~8	12.5	15	17/19
PG7BL-05	PG7	3~5	12.5	15	17/19
PG7BS-07	PG7	3~6.5	12.5	8.5	17/15
PG7BSL-07	PG7	3~6.5	12.5	15	17/15
PG9B-08	PG9	4~8	15.2	8.5	22/19
PG9B-05	PG9	3~5	15.2	8.5	22/19
PG9BL-08	PG9	4~8	15.2	15	22/19
PG9BL-05	PG9	3~5	15.2	15	22/19
PG11B-10	PG11	6~10	18.6	10	22/22
PG11B-07	PG11	4~7	18.6	10	22/22
PG11BL-10	PG11	6~10	18.6	15	22/22
PG11BL-07	PG11	4~7	18.6	15	22/22
PG13.5B-12	PG13.5	6~12	20.4	10	27/24
PG13.5B-09	PG13.5	5~9	20.4	10	27/24
PG13.5BL-12	PG13.5	6~12	20.4	15	27/24
PG13.5BL-09	PG13.5	5~9	20.4	15	27/24
PG16B-14	PG16	8~14	22.5	11	30/27
PG16B-11	PG16	6~11	22.5	11	30/27
PG16B-07	PG16	4~7	22.5	11	30/27
PG16BL-14	PG16	8~14	22.5	15	30/27
PG16BL-11	PG16	6~11	22.5	15	30/27

蓝江产品型号	螺纹规格	电缆范围	螺纹直径	螺纹长度	扳手尺寸
Product model	Thread size	Cable range	Thread diameter	Thread length	Wrench Size
PN.	PG/G/NPT	φ mm	AG mm	GL mm	nut/cap mm
PG16BL-07	PG16	4 ~ 7	22.5	15	30/27
PG19B-14	PG19	8 ~ 14	23.5	11	30/27
PG19B-11	PG19	6 ~ 11	23.5	11	30/27
PG19B-07	PG19	4 ~ 7	23.5	11	30/27
PG21B-18	PG21	13 ~ 18	28.3	12	36/33
PG21B-13	PG21	8 ~ 13	28.3	12	36/33
PG21B-08	PG21	4 ~ 8	28.3	12	36/33
PG21BL-18	PG21	13 ~ 18	28.3	15	36/33
PG21BL-13	PG21	8 ~ 13	28.3	15	36/33
PG21BL-08	PG21	4 ~ 8	28.3	15	36/33
PG29B-25	PG29	18 ~ 25	37	12	46/41
PG29B-22	PG29	16 ~ 22	37	12	46/41
PG29B-18	PG29	13 ~ 18	37	12	46/41
PG29B-12	PG29	7 ~ 12	37	12	46/41
PG36B-32	PG36	24 ~ 32	47	15	57/50
PG36B-25	PG36	18 ~ 25	47	15	57/50
PG42B-41	PG42	31 ~ 41	54	15.5	64/62
PG42B-28	PG42	22 ~ 28	54	15.5	64/62
PG48B-45	PG48	35 ~ 45	59.3	15.5	70/65

G 螺纹/G thread

蓝江产品型号	螺纹规格	电缆范围	螺纹直径	螺纹长度	扳手尺寸
Product model	Thread size	Cable range	Thread diameter	Thread length	Wrench Size
PN.	PG/G/NPT	φ mm	AG mm	GL mm	nut/cap mm
G1/4B-08	G1/4	4~8	13.15	8.5	19/19
G1/4B-05	G1/4	3~5	13.15	8.5	19/19
G3/8B-10	G3/8	6~10	16.66	10	22/22
G3/8B-07	G3/8	4~7	16.66	10	22/22
G1/2B-12	G1/2	6~12	20.95	10	27/24
G1/2B-09	G1/2	5~9	20.95	10	27/24
G3/4B-18	G3/4	13~18	26.44	12	33/33
G3/4B-13	G3/4	7~13	26.44	12	33/33
G3/4B-08	G3/4	4~8	26.44	12	33/33
G1B-25	G1	18~25	33.2	13.5	42/41
G1B-22	G1	16~22	33.2	13.5	42/41
G1B-18	G1	13~18	33.2	13.5	42/41
G1B-12	G1	7~12	33.2	13.5	42/41
G1-1/4B-32	G1-1/4	24~32	41.9	15	51/50
G1-1/4B-25	G1-1/4	18~25	41.9	15	51/50
G1-1/2B-41	G1-1/2	31~41	47.8	16	62/62
G1-1/2B-28	G1-1/2	22~28	47.8	16	62/62
G2B-45	G2	35~45	59.6	25	75/75

NPT 螺纹/NPT thread

蓝江产品型号	螺纹规格	电缆范围	螺纹直径	螺纹长度	扳手尺寸
Product model	Thread size	Cable range	Thread diameter	Thread length	Wrench Size
PN.	PG/G/NPT	φ mm	AG mm	GL mm	nut/cap mm
NPT1/4B-08	NPT1/4	4~8	13.15	8.5	19/19
NPT1/4B-05	NPT1/4	3~5	13.15	8.5	19/19
NPT3/8B-10	NPT3/8	6~10	16.66	10	22
NPT3/8B-07	NPT3/8	4~7	16.66	10	22
NPT1/2B-12	NPT1/2	6~12	20.95	10	27
NPT1/2B-09	NPT1/2	5~9	20.95	10	27
NPT3/4B-18	NPT3/4	13~18	26.44	15	33
NPT3/4B-13	NPT3/4	7~13	26.44	15	33
NPT3/4B-08	NPT3/4	4~8	26.44	15	33
NPT1B-25	NPT1	18~25	33.5	17	41
NPT1B-22	NPT1	16~22	33.5	17	41
NPT1B-18	NPT1	13~18	33.5	17	41
NPT1B-12	NPT1	7~12	33.5	17	41
NPT1-1/4B-32	NPT1-1/4	24~32	42	17	50
NPT1-1/4B-25	NPT1-1/4	18~25	42	17	50
NPT1-1/2B-41	NPT1-1/2	31~41	48	17	52
NPT1-1/2B-28	NPT1-1/2	22~28	48	17	52
NPT2B-45	NPT2	35~45	60	20	68

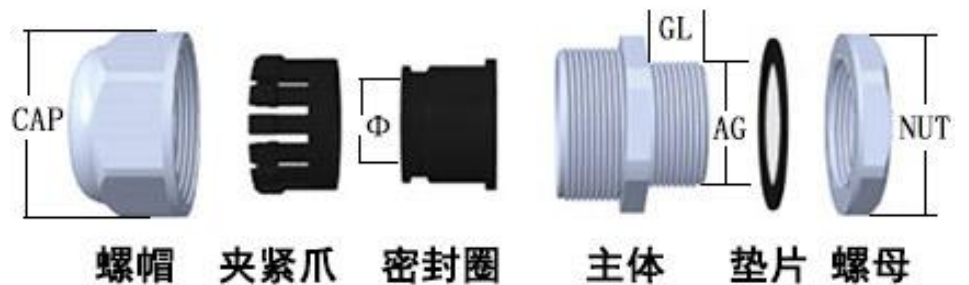
分体尼龙电缆防水接头

- 产品材料:** 尼龙+EPDM 橡胶
- 防护等级:** IP68
- 工作温度:** -40° ~ 105°,短时可达 120°
- 阻燃等级:** UL94V-2, 可定制 V0 级阻燃
- 产品性能:** 符合 ROHS2.0, 欧盟 CE, IP68 防护
- 订购说明:**
 - 1) 标准五件套: 螺母,密封垫片,主体,夹紧圈,夹紧爪,螺帽;
 - 2) 颜色请备注, 黑色后缀加 B, 灰白色后缀加 G;
 - 3) 产品价格为 (人民币: 元/套, 美元: USD/set) 。



Nylon waterproof cable gland

- Materials:** Nylon + EPDM rubber
- Waterproof:** IP68
- Temperature:** -40° ~ 105°, Short-term 120°
- fire prevention:** UL94V-2, Customizable V0
- performance:** ROHS2 0, EU CE, IP68
- Ordering Information:**



---A型分体式结构---

- 1) Standard five piece set: nut, sealing gasket, main body, clamping ring, clamping claw, nut;
- 2) Please note the color, black suffix plus B, gray suffix plus G;
- 3) The product price is (RMB: yuan/set, USD: USD/set).



蓝江产品型号	螺纹规格	电缆范围	螺纹直径	螺纹长度	扳手尺寸
Product model	Thread size	Cable range	Thread diameter	Thread length	Wrench Size
PN.	Metric	φ mm	AG mm	GL mm	nut/cap mm
MG12A-08	M12×1.5	4~8	12	8.5	18/19
MG12A-05	M12×1.5	3~5	12	8.5	18/19
MG12A-03	M12×1.5	2~3	12	8.5	18/19
MG16A-10	M16×1.5	6~10	16	15	22/22
MG16A-07	M16×1.5	4~7	16	15	22/22
MG16A-05	M16×1.5	3~5	16	15	22/22
MG16A-04	M16×1.5	2~4	16	15	22/22
MG16AS-08	M16×1.5	4~8	16	15	22/19
MG16AS-05	M16×1.5	3~5	16	15	22/19
MG16AS-03	M16×1.5	2~3	16	15	22/19
MG20A-14	M20×1.5	8~14	20	15	27/27
MG20A-11	M20×1.5	6~11	20	15	27/27
MG20A-06	M20×1.5	3~6.5	20	15	27/27
MG20AS-12	M20×1.5	6~12	20	10	27/24
MG20AS-09	M20×1.5	5~9	20	10	27/24
MG22A-14	M22×1.5	8~14	22	10	29/27
MG22A-11	M22×1.5	6~11	22	10	29/27
MG25A-18	M25×1.5	13~18	25	15	33/33
MG25A-16	M25×1.5	10~16	25	15	33/33
MG25A-14	M25×1.5	8~14	25	15	33/33
MG25A-13	M25×1.5	7~13	25	15	33/33
MG25A-10	M25×1.5	6~10	25	15	33/33
MG32A-25	M32×1.5	18~25	32	15	41/41
MG32A-22	M32×1.5	16~22	32	15	41/41
MG40A-32	M40×1.5	24~32	40	20	50/50

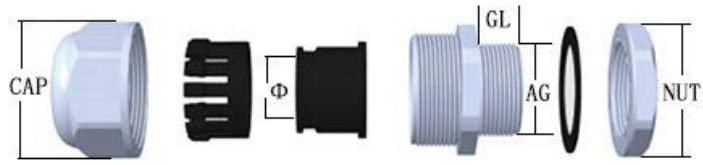

蓝江产品型号	螺纹规格	电缆范围	螺纹直径	螺纹长度	扳手尺寸
Product model	Thread size	Cable range	Thread diameter	Thread length	Wrench Size
PN.	Metric	φ mm	AG mm	GL mm	nut/cap mm
MG40A-25	M40×1.5	18 ~ 25	40	20	50/50
MG50A-41	M50×1.5	31 ~ 41	50	22	62/62
MG50A-33	M50×1.5	26 ~ 33	50	22	62/62
MG63A-51	M63×1.5	44 ~ 51	63	25	75/78
MG63A-46	M63×1.5	39 ~ 46	63	25	75/78
MG75A-66	M75×2.0	56 ~ 66	75	25	92/92
MG75A-62	M75×2.0	56 ~ 62	75	25	92/92
MG75A-56	M75×2.0	50 ~ 56	75	25	92/92
MG90A-77	M90×2.0	66 ~ 77	90	25	110/110
MG90A-68	M90×2.0	58 ~ 68	90	25	110/110
PG7A-08	PG7	4 ~ 8	12.5	8.5	17/19
PG7A-05	PG7	3 ~ 5	12.5	8.5	17/19
PG7A-03	PG7	2 ~ 3	12.5	8.5	17/19
PG7A-6.7	PG7	3 ~ 6.7	12.5	8.5	17/19
PG7A-6.5	PG7	3 ~ 6.5	12.5	8.5	17/19
PG9A-08	PG9	4 ~ 8	15.2	8.5	22/19
PG9A-05	PG9	3 ~ 5	15.2	8.5	22/19
PG9A-03	PG9	2 ~ 3	15.2	8.5	22/19
PG9A-6.7	PG9	3 ~ 6.7	12.5	8.5	17/19
PG9A-6.5	PG9	3 ~ 6.5	12.5	8.5	17/19
PG11A-10	PG11	6 ~ 10	18.6	10	22/22
PG11A-07	PG11	4 ~ 7	18.6	10	22/22
PG11A-05	PG11	3 ~ 5	18.6	10	22/22
PG11A-04	PG11	2 ~ 4	18.6	10	22/22
PG13.5A-12	PG13.5	6 ~ 12	20.4	10	27/24
PG13.5A-10	PG13.5	5.5 ~ 10	20.4	10	27/24

蓝江产品型号	螺纹规格	电缆范围	螺纹直径	螺纹长度	扳手尺寸
Product model	Thread size	Cable range	Thread diameter	Thread length	Wrench Size
PN.	Metric	φ mm	AG mm	GL mm	nut/cap mm
PG13.5A-09	PG13.5	5 ~ 9	20.4	10	27/24
PG16A-14	PG16	8 ~ 14	22.5	11	30/27
PG16A-11	PG16	6 ~ 11	22.5	11	30/27
PG16A-06	PG16	3 ~ 6.5	22.5	11	30/27
PG21A-18	PG21	13 ~ 18	28.3	12	36/33
PG21A-16	PG21	10 ~ 16	28.3	12	36/33
PG21A-14	PG21	8 ~ 14	28.3	12	36/33
PG21A-13	PG21	7 ~ 13	28.3	12	36/33
PG21A-10	PG21	6 ~ 10	28.3	12	36/33
PG29A-25	PG29	18 ~ 25	37	12	46/41
PG29A-22	PG29	16 ~ 22	37	12	46/41
PG36A-32	PG36	24 ~ 32	47	15	57/50
PG36A-25	PG36	18 ~ 25	47	15	57/50
PG42A-41	PG42	31 ~ 41	54	15.5	64/62
PG42A-33	PG42	26 ~ 33	54	15.5	64/62
PG48A-51	PG48	44 ~ 51	59.3	16	75/78
PG48A-46	PG48	39 ~ 46	59.3	16	75/78
G1/4A-08	G1/4	4 ~ 8	13.15	8.5	19/19
G1/4A-05	G1/4	3 ~ 5	13.15	8.5	19/19
G1/4A-03	G1/4	2 ~ 3	13.15	8.5	19/19
G3/8A-10	G3/8	6 ~ 10	16.66	15	22/22
G3/8A-07	G3/8	4 ~ 7	16.66	15	22/22
G3/8A-05	G3/8	3 ~ 5	16.66	15	22/22
G3/8A-04	G3/8	2 ~ 4	16.66	15	22/22
G1/2A-12	G1/2	6 ~ 12	20.95	10	27/24
G1/2A-10	G1/2	5.5 ~ 10	20.95	10	27/24

蓝江产品型号	螺纹规格	电缆范围	螺纹直径	螺纹长度	扳手尺寸
Product model	Thread size	Cable range	Thread diameter	Thread length	Wrench Size
PN.	Metric	φ mm	AG mm	GL mm	nut/cap mm
G1/2A-09	G1/2	5 ~ 9	20.95	10	27/24
G1/2AL-14	G1/2	8 ~ 14	20.95	15	30/27
G1/2AL-11	G1/2	6 ~ 11	20.95	15	30/27
G1/2AL-06	G1/2	3 ~ 6.5	20.95	15	30/27
G3/4A-18	G3/4	13 ~ 18	26.44	15	33/33
G3/4A-16	G3/4	10 ~ 16	26.44	15	33/33
G3/4A-14	G3/4	8 ~ 14	26.44	15	33/33
G3/4A-13	G3/4	7 ~ 13	26.44	15	33/33
G3/4A-10	G3/4	6 ~ 10	26.44	15	33/33
*G1A-25	G1	18 ~ 25	33.2	15	42/41
*G1A-22	G1	16 ~ 22	33.2	15	42/41
G1-1/4A-32	G1-1/4	24 ~ 32	41.9	16	51/50
G1-1/4A-25	G1-1/4	18 ~ 25	41.9	16	51/50
G1-1/2A-41	G1-1/2	31 ~ 41	47.8	22	62/62
G1-1/2A-33	G1-1/2	26 ~ 33	47.8	22	62/62
G2A-51	G2	44 ~ 51	59.6	25	75/75
G2A-46	G2	39 ~ 46	59.6	25	75/75

小知识/Tips

A 型分体与连体 B 型的区别/Difference between type a split and conjoined type B

 <p>螺帽 夹紧爪 密封圈 主体 垫片 螺母</p> <p>---A型分体式结构---</p>	 <p>螺帽 夹紧圈 主体 垫片 螺母</p> <p>---B型连体式结构---</p>
夹紧爪与主体分离式设计	夹紧爪与主体相连设计
可通过切割内芯，轻松通过各类端子头水晶头	可实现自由化定制内芯
可通过更换内芯，实现多元化型号	锁紧范围更大