

JSP 型-平整包塑金属软管

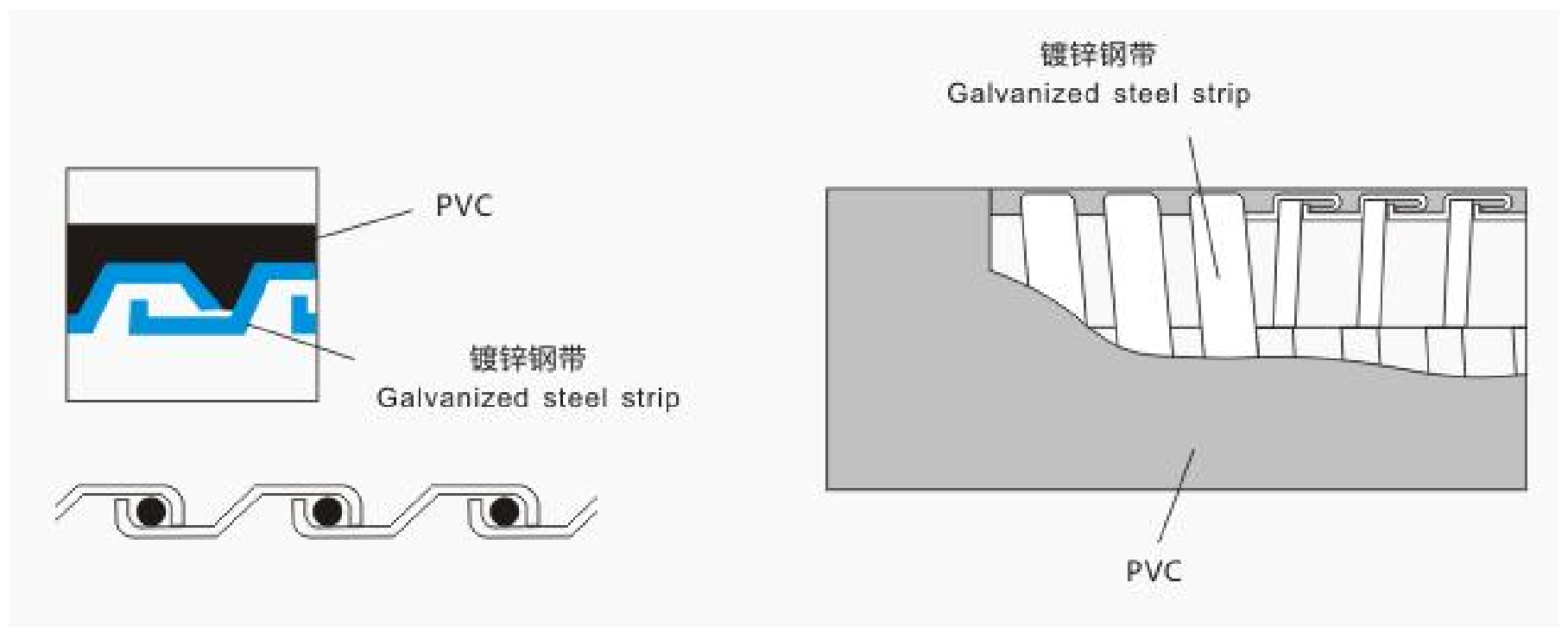
Flat plastic coated metal hose

- 产品材料: 热镀锌, 环保 PVC 包塑
- 产品颜色: 黑色 B, 灰色 P
- 工作温度: -40° ~ 105°
- 产品特性: 平整包塑, 防水防油, 耐腐蚀抗老化



- Product material: hot-dip galvanized, environment-friendly PVC coated
- Product color: black B, gray P
- Working temperature: - 40 °~105 °
- Product characteristics: flat plastic coating, water and oil resistance, corrosion resistance and aging resistance

产品结构/product mix



产品选型/Product size

蓝江平包塑软管	公制规格	英制规格	外径及公差	包装
Product model	Metric	Imperial	Adapter tube	quantity
PN.	φ±	G	φ mm	Pcs/bag
JSP-10B	10±0.3	5/16"	16±0.3	100
JSP-13B	13±0.35	3/8"	18±0.35	50
JSP-16B	16±0.4	1/2"	21.7±0.4	50
JSP-20B	20±0.4	3/4"	27±0.4	50
JSP-25B	25±0.45	1"	33±0.45	50
JSP-32B	32±0.5	1-1/4"	40.7±0.5	20
JSP-38B	38±0.6	1-1/2"	48.2±0.6	20
JSP-51B	51±0.8	2"	61.2±0.8	20
JSP-64B	64±2	2-1/2"	76.1±2	10
JSP-75B	75±2	3"	87.1±2	10
JSP-100B	100±3	4"	112.1±3	10